

* 10' MINIMUM SEPARATION BETWEEN POTABLE WATER SERVICE AND RECLAIMED WATER SERVICE.

SCALE: 1" = 40'

- ① POTABLE WATER METER BOXES (CONCRETE) SHALL BE LOCATED PARALLEL AND ADJACENT TO THE BACK OF CURB.
- ② RECLAIMED WATER METER BOXES (PLASTIC) SHALL BE LOCATED PERPENDICULAR TO:
 - THE BACK OF SIDEWALK, IF SIDEWALK ABUTS THE CURB.
 - THE BACK OF CURB, IF NO SIDEWALK EXISTS.
 - THE FRONT OF SIDEWALK, IF SIDEWALK AND CURB ARE SEPARATED WITH A PLANTING STRIP.
- ③ ALL RECLAIMED WATER LINES SHALL HAVE AFFIXED THERETO AN IDENTIFICATION TAPE AS SPECIFIED IN THE STANDARD SPECIFICATIONS FOR RECLAIMED WATER PIPE LINES AND SERVICE LINES.

LAS VIRGENES MUNICIPAL WATER DISTRICT

PREPARED BY
L.V.M.W.D.

RECLAIMED WATER PIPELINE
TYPICAL LOCATION PLAN

STD. DWG. NO.
R-1
DATE: 2-28-83

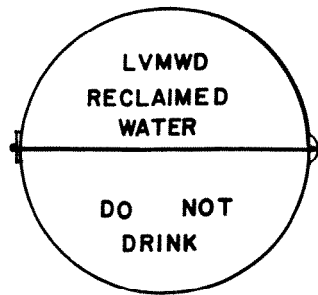


FIGURE ①

PLAN ~ 20 ϕ STEEL COVER

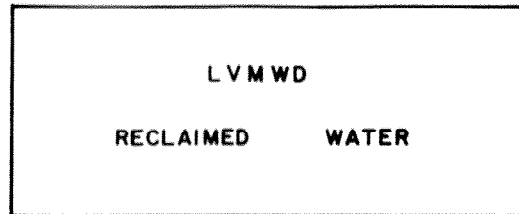


FIGURE ②

PLAN ~ PLASTIC BOX COVER

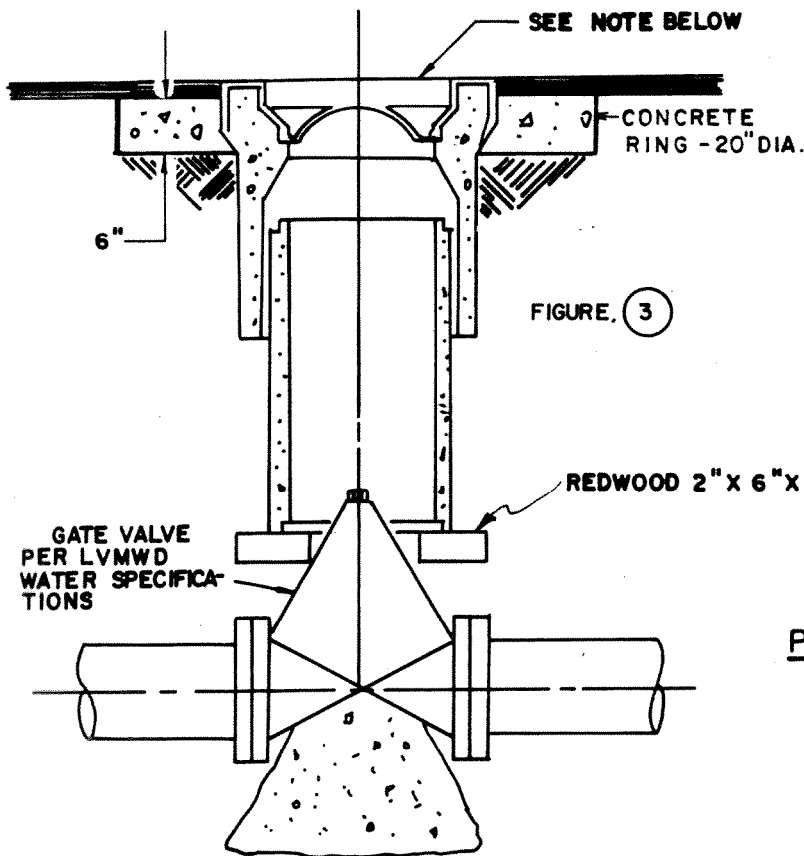
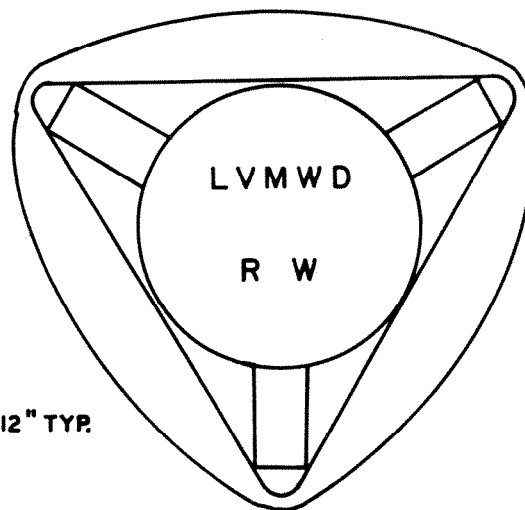


FIGURE ③

SECTION ~ THRU VALVE BOX



PLAN ~ OF VALVE BOX COVER

FIGURE ④

NOTE: WHEN INSTALLING VALVE COVER IN NON-PAVEMENT AREAS, POUR CONCRETE RETAINING COLLAR FLUSH WITH FINISHED GROUND.

NOTE | BROOKS NO. 4-TT SERIES 10 1/4" DIA. TRAFFIC BOX OR APPROVED EQUAL.

LAS VIRGENES MUNICIPAL WATER DISTRICT

PREPARED BY
LVMWD

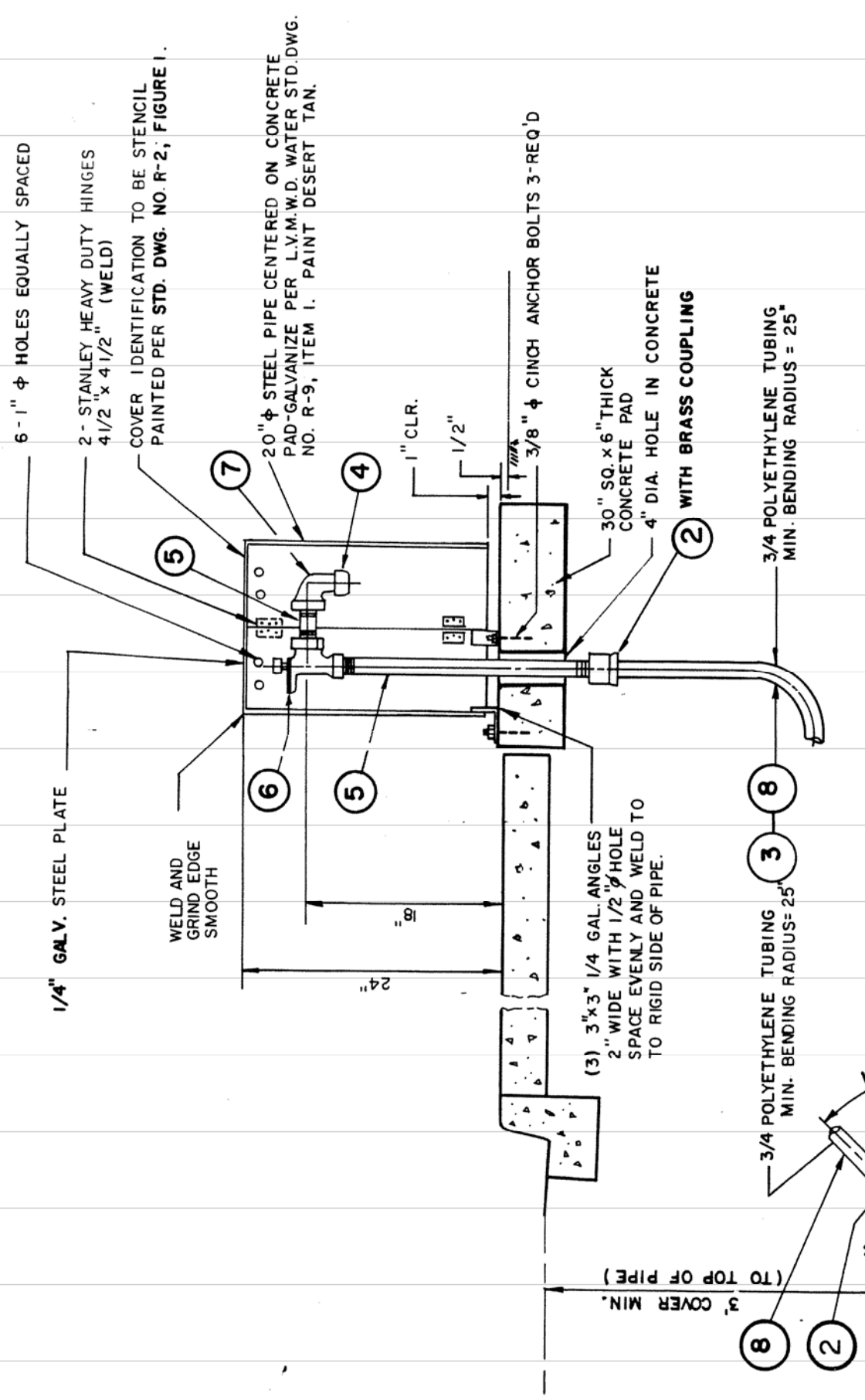
RECLAIMED WATER COVER IDENTIFICATION
& VALVE BOX DETAIL

STD. DWG. NO.
R-2

DATE: 5-24-82

PIPING LEGEND

- ① BRONZE SERVICE SADDLE - PER LINE SIZE, IRON PIPE THREAD, JAMES JONES J-979 OR EQUAL.
- ② BRASS COURLING-MALE IRON PIPE THREAD TO PACKJOINT, FORD C-84-43(3/4") OR APPROVED EQUAL.
- ③ POLYETHYLENE COPPER SIZE TUBING SHALL CONFORM TO AWWA STANDARD C901 FOR POLYETHYLENE (PE) PRESSURE TUBING STANDARD CODE DESIGNATION PE 3406 PRESSURE CLASS 160 P.S.I. MINIMUM USE CLASS 160 POLYETHYLENE TUBING FOR PRESSURE BELOW 160 P.S.I., AND COPPER TUBING FOR PRESSURE ABOVE 160 P.S.I.
- ④ 3/4" THREADED SCHEDULE 80 PVC CAP.
- ⑤ 3/4" THREADED BRASS NIPPLE.
- ⑥ 3/4" GROUND KEY BRONZE ANGLE STOP WITH LOCKWING - I.P.T.x.I.P.T. - MUELLER I4285, FORD AV-II-333W, OR APPROVED EQUAL.
- ⑦ 3/4" 90° BRASS STREET ELL.
- ⑧ ALL RECLAIMED WATER LINES SHALL HAVE AFFIXED THERETO AN IDENTIFICATION TAPE AS SPECIFIED IN THE STANDARD SPECIFICATIONS FOR RECLAIMED WATER PIPELINES AND SERVICE FITTINGS.



SAMPLING CONNECTION

N.T.S.

RECLAIMED WATER MAIN

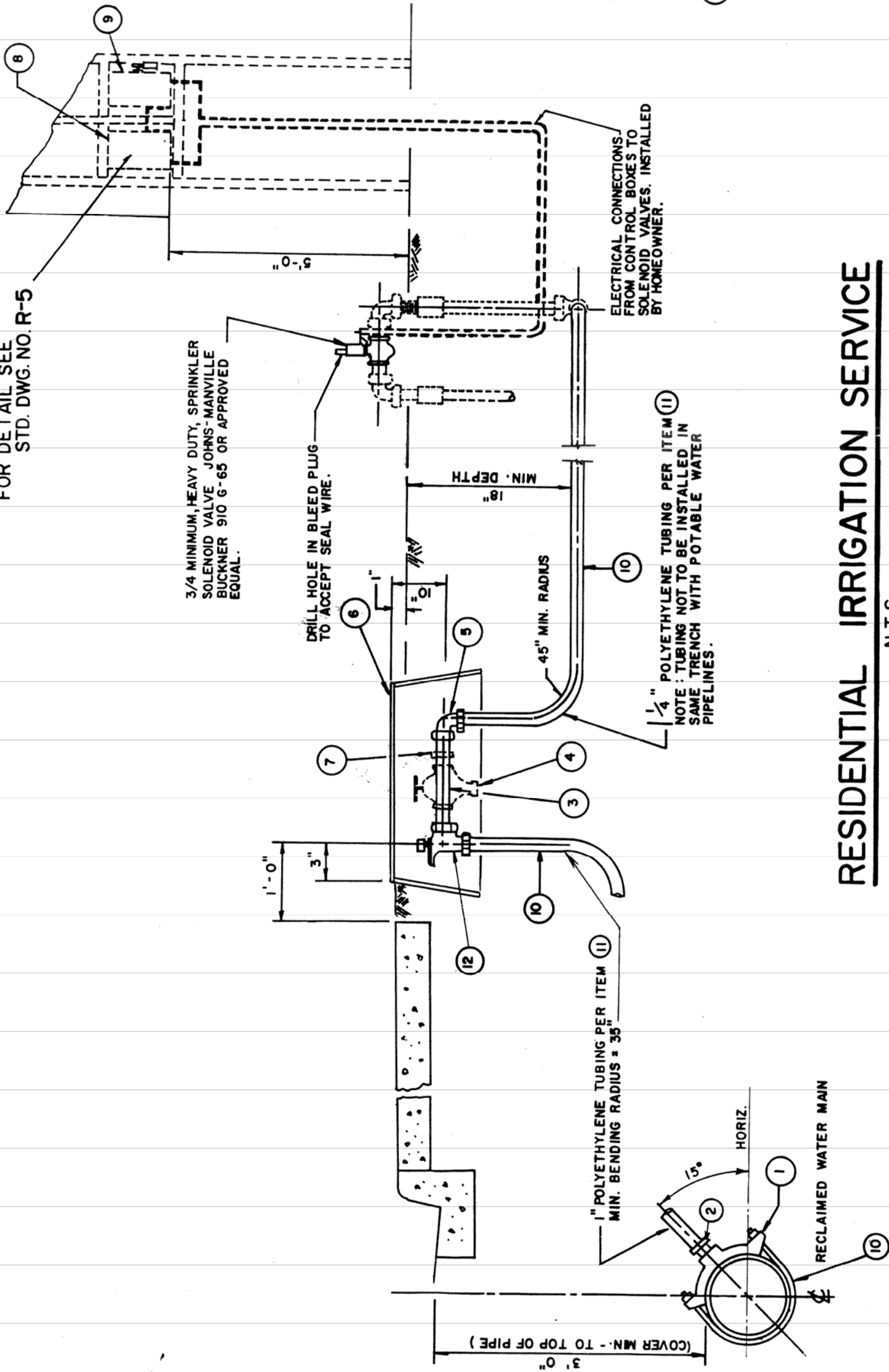
NOTES

1. ASSEMBLIES INSTALLED AT EASEMENTS, ROADS AND STREETS WITHOUT CURBS SHALL BE PROTECTED WITH 2 GUARD POSTS. POSTS CONSIST OF 6 FOOT LENGTH OF 4 INCH DIAMETER STANDARD WEIGHT PIPE FILLED WITH GROUT AND SET 3 FEET BELOW GRADE IN 16 INCH OUTSIDE DIAMETER CONCRETE BASE. POSITION POSTS 2 FEET IN FRONT OF AND 2.5 FEET EACH SIDE OF ASSEMBLY. CROWN CONCRETE BASE AT THE TOP TO SHED WATER, PAINT ALL STEEL POSTS DESERT TAN AFTER INSTALLATION.
2. PLACE 2 - 1/2" x 1/2" x 1/4" THICK x 2" LONG ANGLES WITH 3/8" DIAMETER HOLE, CENTER 1'-0" FROM TOP OF 20" PIPE ON SIDE OPPOSITE HINGES AND WELD ONE TO EACH PIPE HALF TO RECEIVE PADLOCK.
3. LOCATION OF SAMPLING POINTS SHALL BE AS DETERMINED BY THE DISTRICT.

FOR DETAIL SEE
STD. DWG. NO. R-5

PIPING LEGEND

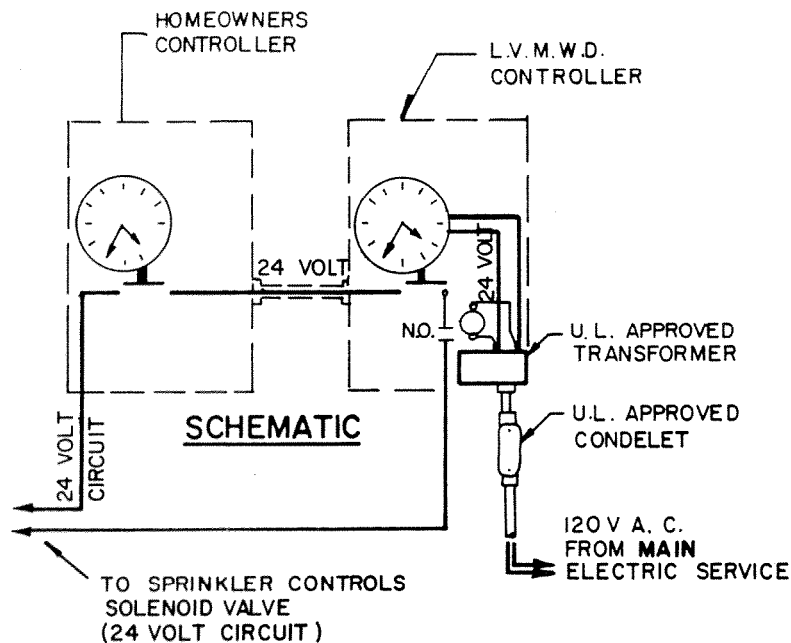
- 1) BRONZE SERVICE SADDLE - PER LINE SIZE. IRON PIPE THREAD. JAMES JONES J-979 OR EQUAL.
- 2) BRASS COUPLING- MALE IRON PIPE THREAD TO PACKJOINT, FORD C84-44 (1") OR APPROVED EQUAL.
- 3) 1" SCHEDULE 80 PVC JUMPER - 7 1/2" LAYING LENGTH.
- 4) SPECIAL WILKINS 600 SERIES 1" PRESSURE REGULATOR WITH 25 TO 75 STANDARD SPRING RANGE. PER L.V.M.W.D. SPECIFICATIONS REQUIRED IF STATIC PRESSURE EXCEEDS 75 PSI.
- 5) ANGLE METER COUPLING WITH 1" METER NUT X 1 1/4" - PACK-JOINT - FORD L34-45 OR EQUAL.
- 6) CARSON NO. 1419-12 GREEN PLASTIC IRRIGATION BOX WITH HINGED TOP. COVER IDENTIFICATION PER STD. NO. R-2 Fig. 2.
- 7) 1" FORD ADAPTOR FOR REGULATORS ON TANDEM RESETTER.
- 8) SPRINKLER CONTROL BOX ACCESSIBLE TO PROPERTY OWNER. MOUNT NEXT TO DISTRICT CONTROLLER. SEE STD. R-5.
- 9) SPRINKLER CONTROL BOX ACCESSIBLE TO L.V.M.W.D. ONLY. THE TIMERS SHALL BE INSTALLED AND SUPPORTED BETWEEN 2 X 4 STUDS WITHIN THE MAIN HOUSE OR GARAGE STRUCTURE FROM THE OUTSIDE OF THE BUILDING. THE CONTROLLER SHALL BE PLACED ON A DEDICATED 120V CIRCUIT AND 5 AMP BREAKER AT THE MAIN ELECTRICAL SERVICE. SEE STD. R-5.
- 10) ALL RECLAIMED WATER LINES SHALL HAVE AFFIXED THERETO AN IDENTIFICATION TAPE AS SPECIFIED IN THE STANDARD SPECIFICATIONS FOR RECLAIMED WATER PIPELINES AND FITTINGS.
- 11) POLYETHYLENE COPPER SIZE TUBING SHALL CONFORM TO AWWA STANDARD C901 FOR POLYETHYLENE (PE.) PRESSURE TUBING STANDARD CODE DESIGNATION PE 3406 PRESSURE CLASS 160 PSI. MINIMUM USE CLASS 160 POLYETHYLENE TUBING FOR PRESSURE BELOW 160 PSI., AND COPPER TUBING FOR PRESSURE ABOVE 160 PSI.
- 12) 1" ANGLE METER STOP WITH LOCKWING FORD KV43-444W, MUELLER H 14267, OR APPROVED EQUAL.



RESIDENTIAL IRRIGATION SERVICE

N.T.S.

LAS VIRGENES MUNICIPAL WATER DISTRICT	
PREPARED BY: L.V.M.W.D.	RECLAIMED WATER RESIDENTIAL IRRIGATION SERVICE
	STD. DWG. NO. R-4
	DATE: 2-28-83



* DISTRICT CONTROLLER SHALL BE SUPERIOR CONTROL CO. OR EQUAL .

SPECIFICATIONS

- TIMING MECHANISM:**
- MINIMUM 15 MINUTE TO 24 HOUR TIME SWITCH CONTROLLER, ADJUSTABLE IN 5 MINUTE INCREMENTS.
 - 7 DAY TIME SWITCH WITH THE CAPABILITY OF OMITTING ANY DAY.
 - PROVIDE A 24 V A.C. RELAY TO OPEN THE SOLENOID VALVE CIRCUIT WHEN POWER IS OFF.
 - TIMER SHALL BE OPERATED FROM A 24 VOLT SUPPLY.
 - FOR REPAIRS, TIMER MUST BE REMOVEABLE FROM ENCLOSURE .

SWITCHING MECHANISM: MUST OPEN AND CLOSE THE ENERGIZED CIRCUIT TO THE HOMEOWNERS CONTROLLER.

- MUST NOT PROVIDE VOLTAGE TO THE CIRCUIT IT CONTROLS.

OPERATING INSTRUCTIONS: MUST BE PLACED INSIDE THE ENCLOSURE DOOR OF EACH DISTRICT CONTROLLER.

ENCLOSURE:

- 16 GA. COLD ROLLED STEEL, COMMERCIAL ACID CLEANED.
- COATING - YELLOW ZINC CHROMATE PRIMER, ONE COAT OUTDOOR COMMERCIAL PAINT, ONE TEXTURE COAT, AND OVEN BAKED.

- GASKETED DOOR WITH WEATHER STRIPPING AND CADMIUM PLATED HINGES.
- HINGED DOOR WITH TANG LOCKING DEVICE ATTACHED TO DOOR AND SPECIAL TUMBLER TO ACCEPT L.V.M.W.D. KEY ONLY.
- SINGLE COLOR - DESERT TAN
- NEMA 4 WATERTIGHT AND DUST TIGHT ENCLOSURE

- MOUNT CONTROL BOX AS FOLLOWS :
SPRINKLER CONTROL BOX ACCESSIBLE TO L.V.M.W.D. ONLY. THE TIMERS SHALL BE INSTALLED AND SUPPORTED BETWEEN 2x4 STUDS WITHIN THE MAIN HOUSE OR GARAGE STRUCTURE. THE DISTRICT CONTROLLED TIMER SHALL BE ACCESSIBLE FROM THE OUTSIDE OF THE BUILDING. THE CONTROLLER SHALL BE PLACED ON A DEDICATED 120V CIRCUIT AND 5 AMP BREAKER AT THE MAIN ELECTRICAL SERVICE .

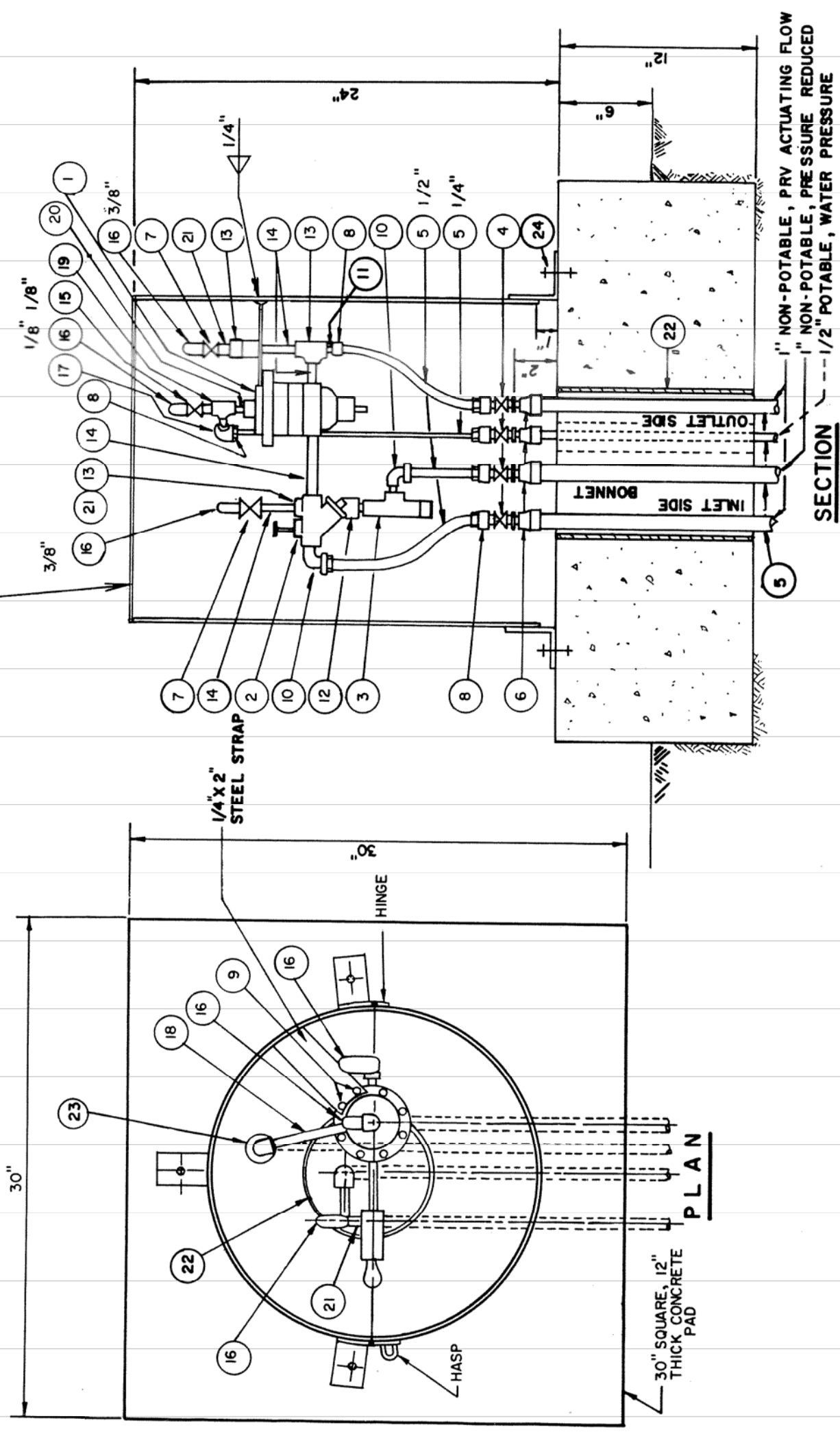
LAS VIRGENES MUNICIPAL WATER DISTRICT

**RECLAIMED WATER SPRINKLER
CONTROL BOX DETAIL**

**STD. DWG. NO.
R-5**

DATE : 2-28-83

20" DIA. STEEL PIPE CENTERED ON CONCRETE PAD.
 FABRICATE AND GALVANIZE PER L.V.M.W.D. STD. DWG.
 NO. R-9, ITEM 1. PAINT DESERT TAN. COVER
 IDENTIFICATION TO BE STENCIL PAINTED PER
 L.V.M.W.D. STD. DWG. NO. R-2, FIGURE 1.



REMOTE DIFFERENTIAL PRESSURE PILOT VALVE DETAIL

N.T.S.

PIPING LEGEND

- 1 CLAYTON CDHS10 DIFFERENTIAL CONTROL (MOO) - PROVIDED BY CLAYTON.
- 2 CLAYTON X 42N-2 STRAINER & NEEDLE VALVE - PROVIDED BY CLAYTON.
- 3 CLAYTON CV FLOW CONTROL OPENING - PROVIDED BY CLAYTON.
- 4 CLAYTON SERIES CK SHUTOFF COCK.
- 5 COPPER PIPE-TYPE L.
- 6 NIBCO 701 COUPLING REDUCER WITH 704-2 MALE ADAPTER.
- 7 STOP VALVE - NIBCO 525-3.
- 8 UNION - NIBCO 733-4.
- 9 10-32 x 1" SCREW - 2 EACH.
- 10 90° UNION ELBOW - NIBCO 707-4-6.
- 11 FITTING, FLARE x NPT - PROVIDED BY CLAYTON.
- 12 3/8" BRONZE PIPE COUPLING AND CLOSE NIPPLE.
- 13 3/8" BRONZE PIPE TEE.
- 14 3/8" BRONZE PIPE.
- 15 CRANE NO. 266 BRONZE COCK - P.L.S.
- 16 RETURN BEND - NIBCO 638
- 17 90° UNION ELBOW.
- 18 1/8" x 6" BRONZE PIPE.
- 19 1/8" BRONZE PIPE TEE.
- 20 1/8" 1" BRONZE PIPE NIPPLE.
- 21 3/8" BRONZE PIPE NIPPLE.
- 22 8" PVC SLEEVE
- 23 1/2" PVC SLEEVE
- 24 3/8" φ CINCH ANCHOR BOLTS 3 - req'd.

LAS VIRGENES MUNICIPAL WATER DISTRICT	
PREPARED BY L.V.M.W.D.	REMOTE DIFFERENTIAL PRESSURE PILOT VALVE DETAIL
	STD. DWG. NO. R-8
	DATE : 2-28-83

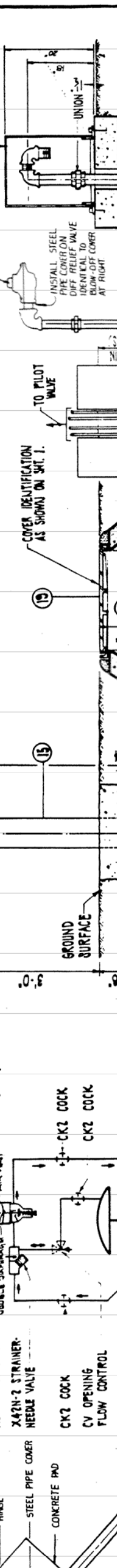
PIPING IDENTIFICATION

- 6" CAST TRANSITION COUPLING - ROCKWELL FIG. 433
- COAT & WRAP PER LHMWD STD SPECIFICATIONS
- RING TYPE A.C. WATER PIPE - CL200
- STEEL - 12 GA. WATER PIPE
- 6" x 4" SCH. 40 STEEL SPOOL - PE x 150 LB. FLANGE. CEMENT MORTAR LINED AND COATED.
- CLASS 200 FLANGED GATE VALVE WITH HAND WHEEL PER LHMWD STD SPECIFICATIONS.
- DIFFERENTIAL PRESSURE VALVE - CLAVAL 250G01 HEKX. SS TRIM, SS SLEEVE, CLASS 200, WITH 150 LB FLANGES.
- 3/4" PRESSURE GAUGE - MARSH TYPE 1, CP PATTER: 1" MALE BOTTOM, 300 PSI, EQUIPPED WITH A CALIBRATOR
- WATER METER-ROCKWELL SERIES W TURBO METER MODEL W-100DR WITH READOUT IN CUBIC FEET.
- SCH. 40 STEEL SPOOL - VICTAULIC GROOVE x 150 LB FLANGE EPOXY LINED, EXTERIOR PAINTED.
- 150 LB FLANGE x 4" x 150 LB FLANGE x 3" x 150 LB FLANGED STEEL TEE EPOXY LINED, EXTERIOR PAINTED.
- CLASS 200 FLANGED GATE VALVE WITH HAND WHEEL PER LHMWD STD SPECIFICATIONS.
- FLANGED PRESSURE RELIEF VALVE - CLA. VAL. 50A-01-KGC DELRIN SLEEVE, S.S. STEM, CL 200 WITH 150 LB FLANGES.
- STEEL THREADED PIPE AND FITTINGS. PAINT INSIDE OF VAULT AND COAT WITH BITUMASTIC 505 OUTSIDE OF VAULT.
- SCH. 80 PVC PIPE AND FITTINGS WITH WATER TIGHT JOINTS. CONSTRUCT TO MEET FIELD CONDITIONS.
- GALVANIZED STEEL PIPE VENT WITH MUSHROOM TYPE HOOD - ALHAMBRA A-2165 OR EQUAL.
- 12" x 18" LONG CONCRETE PIPE SUMP - FILL WITH CRUSHED ROCK.
- PRECAST CONCRETE UTILITY VAULT - QUIKSET NO. TV 454 OR APPROVED EQUAL.
- ALHAMBRA A-3380 GALVANIZED VAULT LADDER - ALHAMBRA NO. 3383R.
- MANHOLE FRAME AND COVER - ALHAMBRA A-1105, WITH CAP SCREWS, ADJUSTABLE ANCHOR AND NEOPRENE RING SEAL COVER IDENTIFICATION AS SHOWN ON SH. 1.
- VICTAULIC COUPLING - STYLE 77, PER LINE SIZE FITTINGS
- TYPE "K" SOFT COPPER TUBING WITH BRASS CONNECTION TO POTABLE WATER MAIN PER LHMWD STD DMG 5 & 6. MODIFY TO ACCEPT 1/2" CORP STOP. J JONES 1505 OR MUELLER HL5025.
- ADJUSTABLE PIPE SUPPORT - GRINNELL NO. 264.
- BRONZE BALL VALVE - CRANE NO. 58 ATTACH
- 1" RUBBER HOSE - CLAMP TO WALL.
- TYPE "K" SOFT COPPER TUBING WITH BRASS FITTINGS. NON-POTABLE PRV ACTUATING FLOW.
- TYPE "K" SOFT COPPER TUBING WITH BRASS FITTINGS. NON-POTABLE, PRESSURE REDUCED.
- 3" x 3" x 3" FLG. C.1. TEE, CLASS 150 EPOXY LINED, EXTERIOR PAINTED.
- CLA-VAL DIFFERENTIAL PRESSURE RELIEF VALVE. DISCHARGE CHS-20.

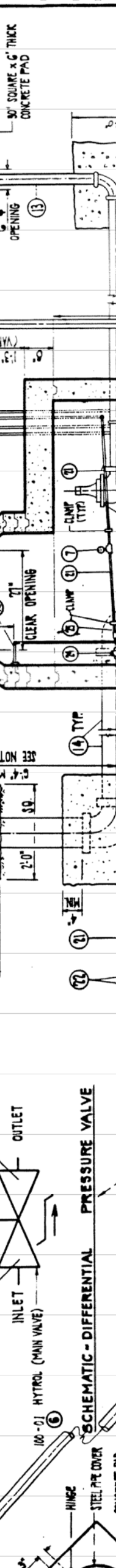
ISOMETRIC PIPING LEGEND

- FLANGED GATE VALVE PER LHMWD STANDARD SPECIFICATIONS. SIZE AS REQ'D
- VALVE BOX AND COVER PER DETAIL ON SHEET NO. 1
- 4" FLANGED DUCTILE IRON PIPE, CLASS 50, WITH FLANGED 150 LB. CAST IRON FITTINGS, IN ACCORDANCE WITH THE LHMWD STANDARD SPECIFICATIONS.
- 4" FLANGED REDUCED PRESSURE BACKFLOW PREVENTER - HERSEY PRODUCTS 6 OR EQUAL. INTERIOR COATING SHALL BE DONE IN ACCORDANCE WITH LHMWD STANDARD SPECIFICATIONS FOR GATE VALVES.
- VALVE BOX & COVER PER LHMWD STD DMG NO. 11 FOR POTABLE WATER & TO DWG. NO. 13.
- THRUST BLOCK PER LHMWD STD DMG NO. 13.

PLAN - VAULT AND PIPING



ELEVATION ~ SECTION A



NOTES

- ALL WORK SHALL BE IN ACCORDANCE WITH THE LHMWD STANDARD SPECIFICATIONS AND DRAWINGS FOR CONSTRUCTION OF WATER MAINS AND AS DIRECTED BY DISTRICT REPRESENTATIVE.
- REFER TO PLAN FOR PIPE AND VALVE ELEVATIONS.
- VAULT JOINTS SHALL BE SEALED WITH A POLYURETHANE SEALER. "SURE-SEAL" OR APPROVED EQUAL.
- THIS IS A TYPICAL DIMENSION UNLESS SHOWN OTHERWISE ON THE REPRESENTATIVE.
- INTERIOR SURFACE OF THE CONCRETE VAULT SHALL BE PAINTED WHITE EXPOSED METAL PIPING SHALL BE PAINTED DESERT TAN IN ACCORDANCE WITH THE LHMWD STANDARD SPECIFICATIONS.
- PRESSURE RELIEF VALVE SHALL BE STAINLESS STEEL TRIM.
- PRESSURE RELIEF VALVE SHALL BE STAINLESS STEEL TRIM COATED WITH 100% SOLID, CATALYTICALLY CURING EPOXY WHICH IS MANUFACTURED FOR THE USE IN THE INTERIOR OF POTABLE WATER MAINS. SEE LHMWD STANDARD SPECIFICATIONS FOR VALVE ASSEMBLY.
- PRESSURE GAUGE RANGE AND SETTING FOR THE AUTOMATIC VALVES SHALL BE DETERMINED BY THE DISTRICT REPRESENTATIVE.
- Holes in vault walls shall be 1/2" diameter for 4" pipe 1/2" diameter for 6" pipe 1/2" diameter for 8" pipe
- LOCATE EXHAUST VENTS PER LHMWD STANDARD DRAWING NO. 14

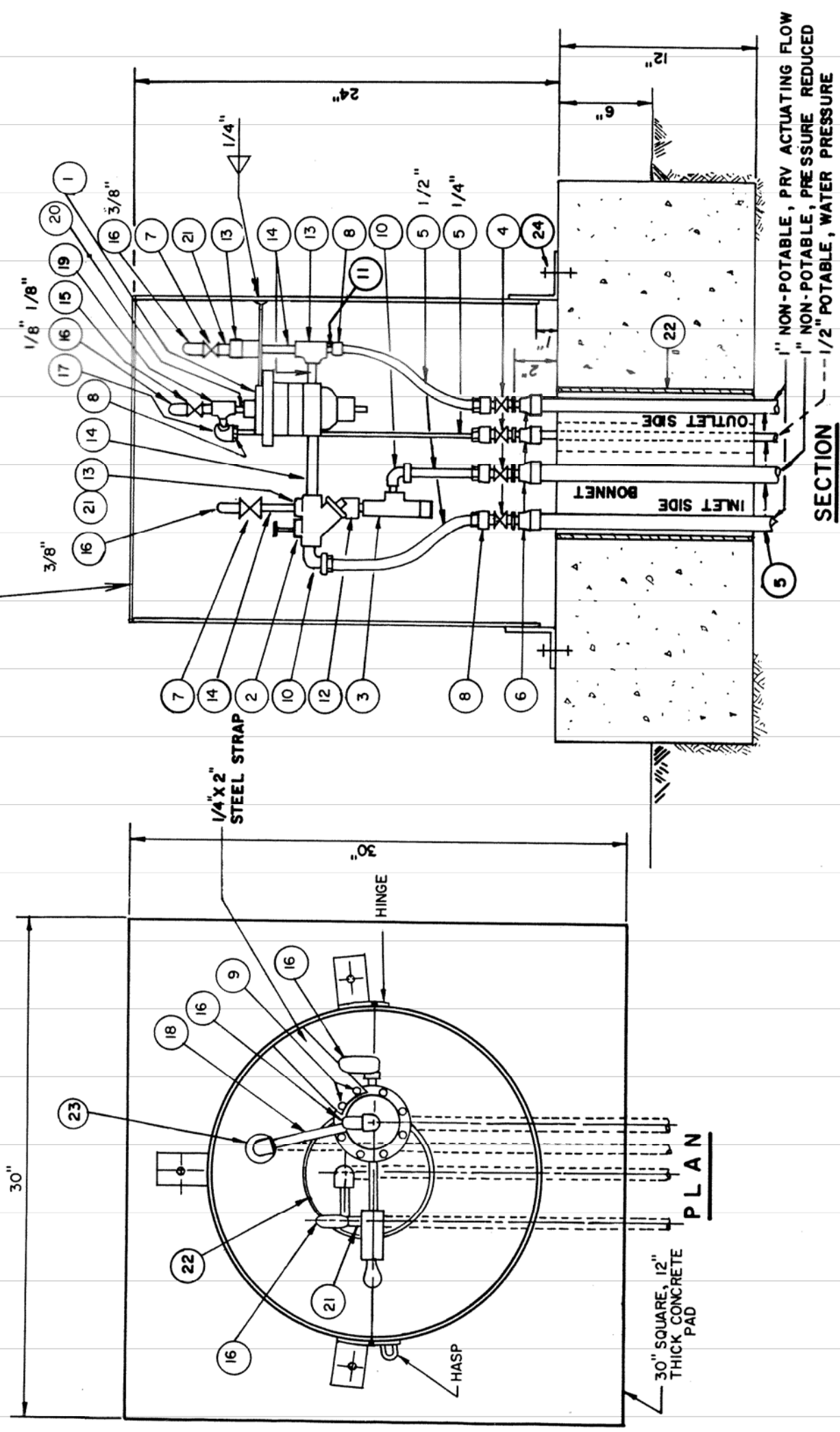
NOTES

- ALL WORK SHALL BE IN ACCORDANCE WITH THE LHMWD STANDARD SPECIFICATIONS AND DRAWINGS FOR CONSTRUCTION OF WATER MAINS AND AS DIRECTED BY DISTRICT REPRESENTATIVE.
- REFER TO PLAN FOR PIPE AND VALVE ELEVATIONS.
- VAULT JOINTS SHALL BE SEALED WITH A POLYURETHANE SEALER. "SURE-SEAL" OR APPROVED EQUAL.
- THIS IS A TYPICAL DIMENSION UNLESS SHOWN OTHERWISE ON THE REPRESENTATIVE.
- INTERIOR SURFACE OF THE CONCRETE VAULT SHALL BE PAINTED WHITE EXPOSED METAL PIPING SHALL BE PAINTED DESERT TAN IN ACCORDANCE WITH THE LHMWD STANDARD SPECIFICATIONS.
- PRESSURE RELIEF VALVE SHALL BE STAINLESS STEEL TRIM.
- PRESSURE RELIEF VALVE SHALL BE STAINLESS STEEL TRIM COATED WITH 100% SOLID, CATALYTICALLY CURING EPOXY WHICH IS MANUFACTURED FOR THE USE IN THE INTERIOR OF POTABLE WATER MAINS. SEE LHMWD STANDARD SPECIFICATIONS FOR VALVE ASSEMBLY.
- PRESSURE GAUGE RANGE AND SETTING FOR THE AUTOMATIC VALVES SHALL BE DETERMINED BY THE DISTRICT REPRESENTATIVE.
- Holes in vault walls shall be 1/2" diameter for 4" pipe 1/2" diameter for 6" pipe 1/2" diameter for 8" pipe
- LOCATE EXHAUST VENTS PER LHMWD STANDARD DRAWING NO. 14

PIPING IDENTIFICATION

- 6" CAST TRANSITION COUPLING - ROCKWELL FIG. 433
- COAT & WRAP PER LHMWD STD SPECIFICATIONS
- RING TYPE A.C. WATER PIPE - CL200
- STEEL - 12 GA. WATER PIPE
- 6" x 4" SCH. 40 STEEL SPOOL - PE x 150 LB. FLANGE. CEMENT MORTAR LINED AND COATED.
- CLASS 200 FLANGED GATE VALVE WITH HAND WHEEL PER LHMWD STD SPECIFICATIONS.
- DIFFERENTIAL PRESSURE VALVE - CLAVAL 250G01 HEKX. SS TRIM, SS SLEEVE, CLASS 200, WITH 150 LB FLANGES.
- 3/4" PRESSURE GAUGE - MARSH TYPE 1, CP PATTER: 1" MALE BOTTOM, 300 PSI, EQUIPPED WITH A CALIBRATOR
- WATER METER-ROCKWELL SERIES W TURBO METER MODEL W-100DR WITH READOUT IN CUBIC FEET.
- SCH. 40 STEEL SPOOL - VICTAULIC GROOVE x 150 LB FLANGE EPOXY LINED, EXTERIOR PAINTED.
- 150 LB FLANGE x 4" x 150 LB FLANGE x 3" x 150 LB FLANGED STEEL TEE EPOXY LINED, EXTERIOR PAINTED.
- CLASS 200 FLANGED GATE VALVE WITH HAND WHEEL PER LHMWD STD SPECIFICATIONS.
- FLANGED PRESSURE RELIEF VALVE - CLA. VAL. 50A-01-KGC DELRIN SLEEVE, S.S. STEM, CL 200 WITH 150 LB FLANGES.
- STEEL THREADED PIPE AND FITTINGS. PAINT INSIDE OF VAULT AND COAT WITH BITUMASTIC 505 OUTSIDE OF VAULT.
- SCH. 80 PVC PIPE AND FITTINGS WITH WATER TIGHT JOINTS. CONSTRUCT TO MEET FIELD CONDITIONS.
- GALVANIZED STEEL PIPE VENT WITH MUSHROOM TYPE HOOD - ALHAMBRA A-2165 OR EQUAL.
- 12" x 18" LONG CONCRETE PIPE SUMP - FILL WITH CRUSHED ROCK.
- PRECAST CONCRETE UTILITY VAULT - QUIKSET NO. TV 454 OR APPROVED EQUAL.
- ALHAMBRA A-3380 GALVANIZED VAULT LADDER - ALHAMBRA NO. 3383R.
- MANHOLE FRAME AND COVER - ALHAMBRA A-1105, WITH CAP SCREWS, ADJUSTABLE ANCHOR AND NEOPRENE RING SEAL COVER IDENTIFICATION AS SHOWN ON SH. 1.
- VICTAULIC COUPLING - STYLE 77, PER LINE SIZE FITTINGS
- TYPE "K" SOFT COPPER TUBING WITH BRASS CONNECTION TO POTABLE WATER MAIN PER LHMWD STD DMG 5 & 6. MODIFY TO ACCEPT 1/2" CORP STOP. J JONES 1505 OR MUELLER HL5025.
- ADJUSTABLE PIPE SUPPORT - GRINNELL NO. 264.
- BRONZE BALL VALVE - CRANE NO. 58 ATTACH
- 1" RUBBER HOSE - CLAMP TO WALL.
- TYPE "K" SOFT COPPER TUBING WITH BRASS FITTINGS. NON-POTABLE PRV ACTUATING FLOW.
- TYPE "K" SOFT COPPER TUBING WITH BRASS FITTINGS. NON-POTABLE, PRESSURE REDUCED.
- 3" x 3" x 3" FLG. C.1. TEE, CLASS 150 EPOXY LINED, EXTERIOR PAINTED.
- CLA-VAL DIFFERENTIAL PRESSURE RELIEF VALVE. DISCHARGE CHS-20.

20" DIA. STEEL PIPE CENTERED ON CONCRETE PAD.
 FABRICATE AND GALVANIZE PER L.V.M.W.D. STD. DWG.
 NO. R-9, ITEM 1. PAINT DESERT TAN. COVER
 IDENTIFICATION TO BE STENCIL PAINTED PER
 L.V.M.W.D. STD. DWG. NO. R-2, FIGURE 1.



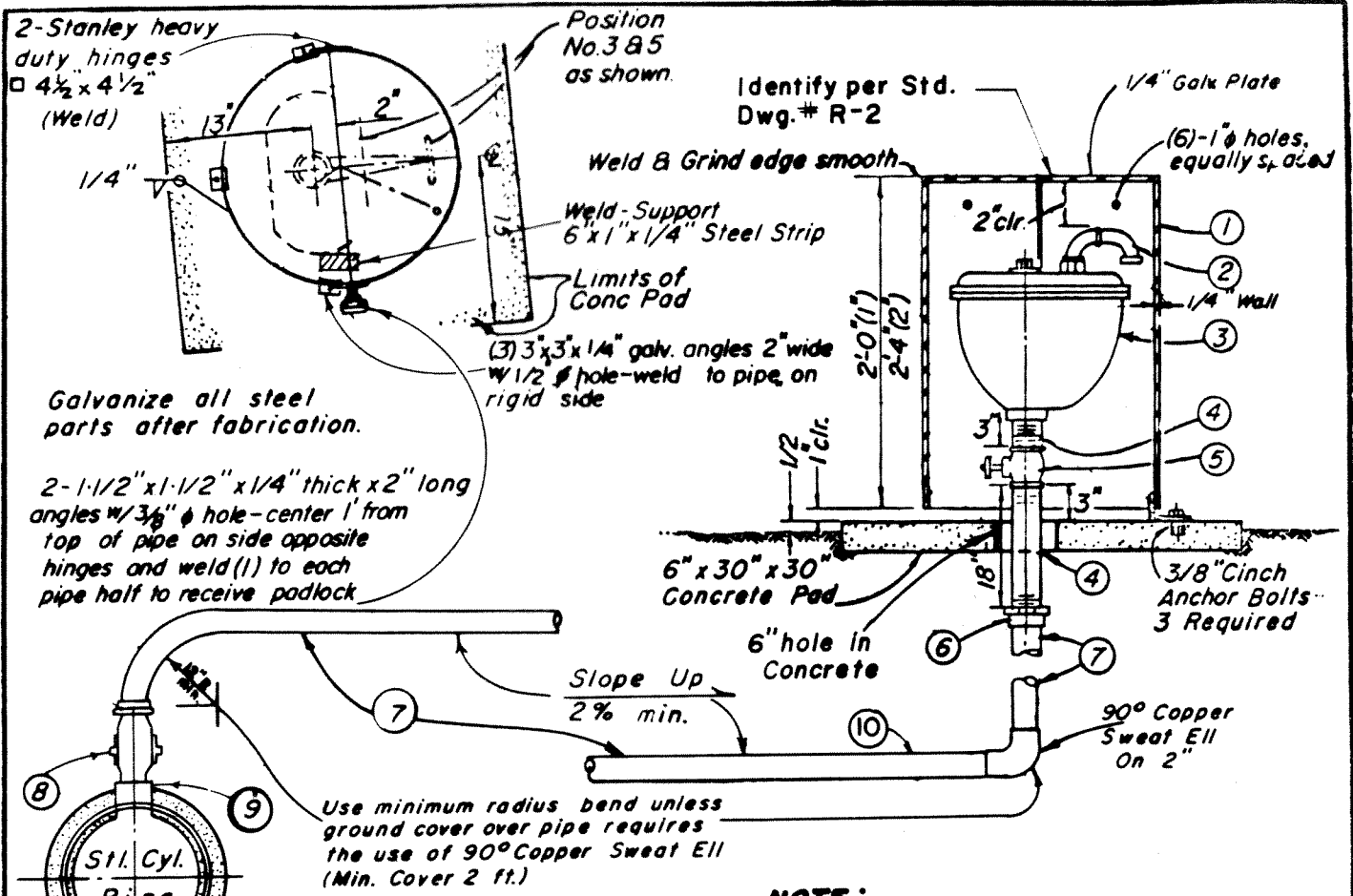
PIPING LEGEND

- 1 CLAYTON CDHS10 DIFFERENTIAL CONTROL (MOD) - PROVIDED BY CLAYTON.
- 2 CLAYTON X 42N-2 STRAINER & NEEDLE VALVE - PROVIDED BY CLAYTON.
- 3 CLAYTON CV FLOW CONTROL OPENING - PROVIDED BY CLAYTON.
- 4 CLAYTON SERIES CK SHUTOFF COCK.
- 5 COPPER PIPE-TYPE L.
- 6 NIBCO 701 COUPLING REDUCER WITH 704-2 MALE ADAPTER.
- 7 STOP VALVE - NIBCO 525-3.
- 8 UNION - NIBCO 733-4.
- 9 10-32 x 1" SCREW - 2 EACH.
- 10 90° UNION ELBOW - NIBCO 707-4-6.
- 11 FITTING, FLARE x NPT - PROVIDED BY CLAYTON.
- 12 3/8" BRONZE PIPE COUPLING AND CLOSE NIPPLE.
- 13 3/8" BRONZE PIPE TEE.
- 14 3/8" BRONZE PIPE.
- 15 CRANE NO. 266 BRONZE COCK - P.L.S.
- 16 RETURN BEND - NIBCO 638
- 17 90° UNION ELBOW.
- 18 1/8" x 6" BRONZE PIPE.
- 19 1/8" BRONZE PIPE TEE.
- 20 1/8" 1" BRONZE PIPE NIPPLE.
- 21 3/8" BRONZE PIPE NIPPLE.
- 22 8" PVC SLEEVE
- 23 1/2" PVC SLEEVE
- 24 3/8" φ CINCH ANCHOR BOLTS 3 - req'd.

REMOTE DIFFERENTIAL PRESSURE PILOT VALVE DETAIL

N.T.S.

LAS VIRGENES MUNICIPAL WATER DISTRICT	
PREPARED BY L.V.M.W.D.	REMOTE DIFFERENTIAL PRESSURE PILOT VALVE DETAIL
	STD. DWG. NO. R-8
	DATE : 2-28-83



NOTE:

1. Locate per Std. Dwg. No. 26
2. Assemblies installed at easements, roads and streets without curbs shall be protected w/ guard posts (2). Post consists of 6' length of 4" std. wt. pipe filled w/ grout and set 3' below grade in 16" O.D. conc. base. Position posts 2' in front of and 2.5' ea. side of assemblies. Crown conc. base at the top to shed water.
3. Item 1 to be painted Desert Tan (Koppers #111.)

Assem. Size	Steel Coupling Size	Insulating Bushing Size
2"	2-1/2"	2" x 2-1/2"
1"	1-1/4"	1" x 1-1/4"



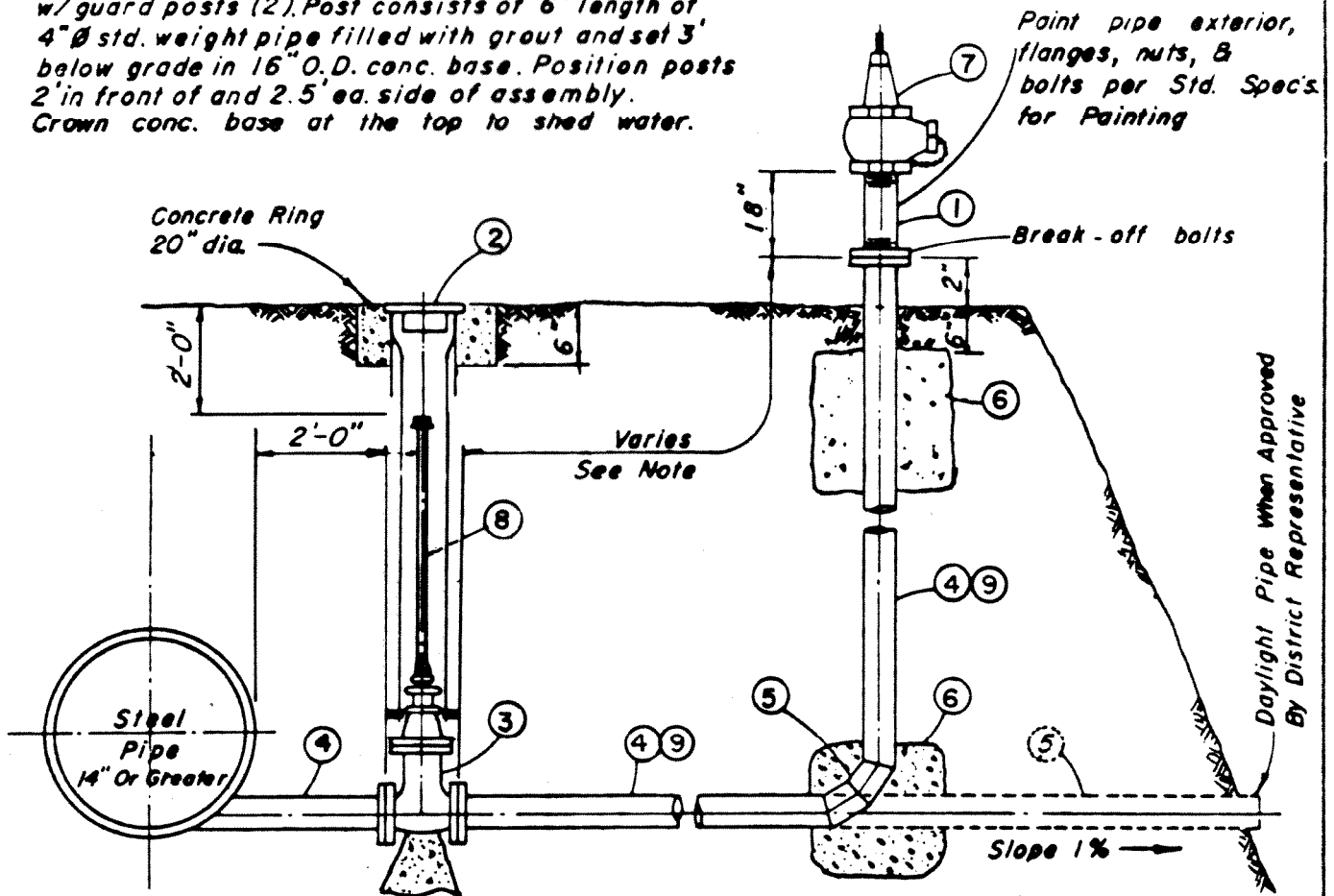
UP TO 300 LBS. PRESSURE

ITEM	NO.	DESCRIPTION	REMARKS
1	1	20" Diameter Steel Pipe	Galvanize and Paint per Specs
2	2	90° Street Ells	Galvanized - Screened Opening
3	1	Combination Air Release & Air Vacuum Valve	Apco Heavy Duty or Approved Equal
4	2	Brass Nipples	I. P. Threaded
5	1	Bronze Gate Valve	Per Standard Specs.
6	1	Female Adapter	Copper
7	-	Copper Tubing	Type 'K'- Soft
8	1	Corporation Stop	Mueller No. 10012, Jones J-1505, or J-1529
9	1	Coupling w/ insulating bushing	See Dielectric Con. Std. Dwg. No. 5
10		ALL RECLAIMED WATER LINES SHALL HAVE AFFIXED THERETO AN IDENTIFICATION TAPE AS SPECIFIED IN THE STANDARD SPECIFICATIONS FOR RECLAIMED WATER LINES AND FITTINGS.	

LAS VIRGENES MUNICIPAL WATER DISTRICT

PREPARED BY BOYLE ENGINEERING Ventura Division	<h1>1" or 2" AIR VACUUM VALVE ASSEMBLY</h1>	STD. DWG. NO. R-9 DATE: 2-28-83
---	---	--

NOTE: Assemblies installed at easements, roads and streets without curbs, shall be protected w/ guard posts (2). Post consists of 6' length of 4" ϕ std. weight pipe filled with grout and set 3' below grade in 16" O.D. conc. base. Position posts 2' in front of and 2.5' ea. side of assembly. Crown conc. base at the top to shed water.



Outlet from steel main to be in accord with std. specifications for steel water pipe

NOTE: Locate per Std. Dwg. No. 26

NOTE: When operating nut on G.V. is 4' to 6' deep provide operating nut extension as shown when operating nut is greater than 6' provide 4' dia. manhole. (Per Std. Dwg. No. 4)

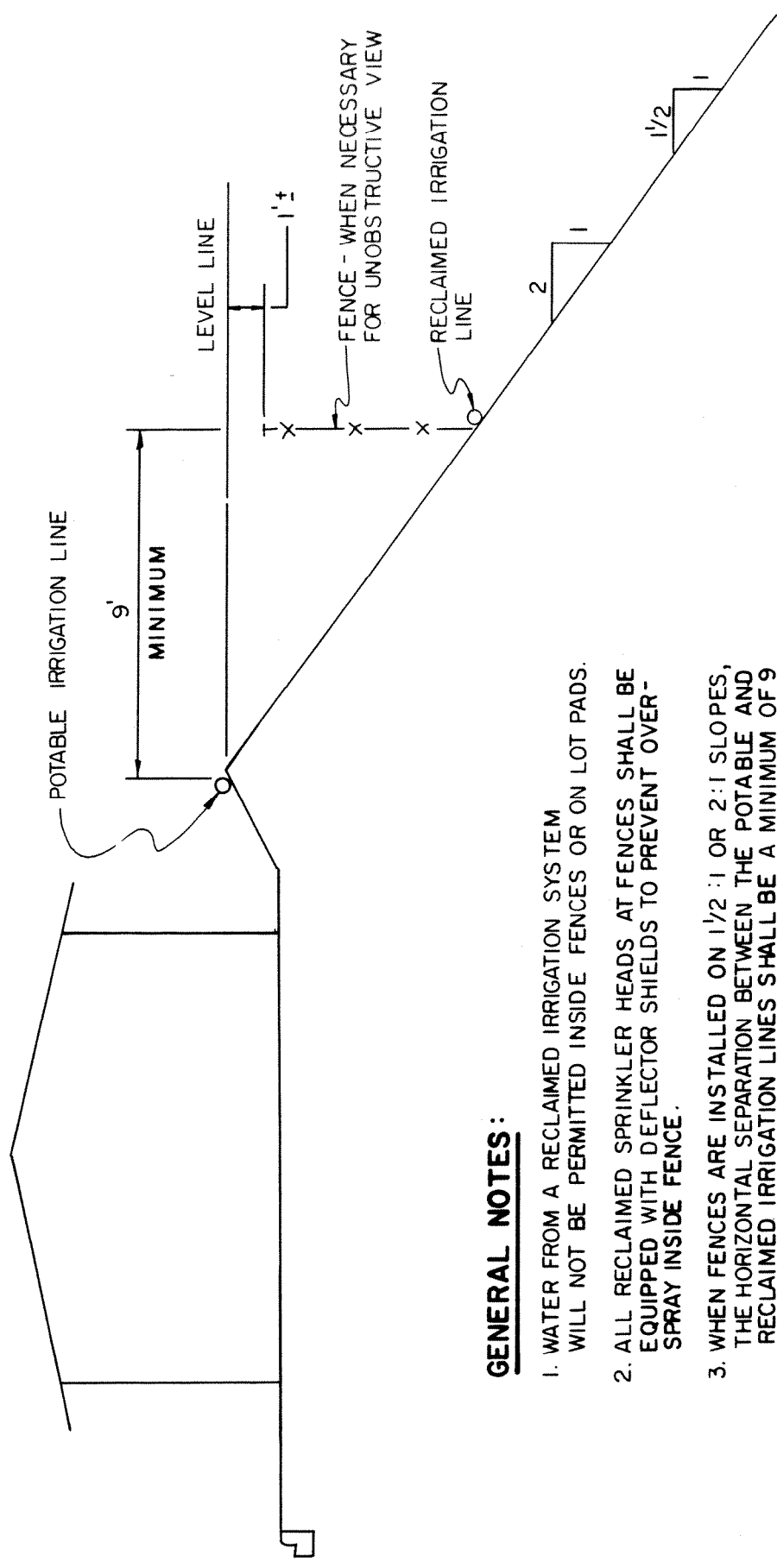
ITEM	NO.	DESCRIPTION	REMARKS
1	1	4" Schedule 40 mortar lined Nipple to be painted Desert Tan (Kopper III.) also stencil RECLAIMED WATER - DO NOT DRINK.	Desert Tan (Kopper III.) also mortar lined
2	1	Cast Iron Valve Box Cover	See Std. Dwg. No. R-2 & R-12
3	1	4" Flanged Valve - G.V. or Plug Valve	See Standard Specs for Valves
4		4 1/2" O.D. x 10 Ga. Steel Pipe	cm/cl
5	1	Short Radius 90° Bend	cm/cl
6	2	Concrete Anchor Block	Vertical Pipe Only
7	1	4" x 2 1/2" Angle Valve	Jones J-344 HP
8		Operating nut extension stem	Mueller Fig. 2 Extension stem or Approved Equal.
9		ALL RECLAIMED WATER LINE SHALL HAVE AFFIXED THERETO AN IDENTIFICATION TAPE AS SPECIFIED IN THE STANDARD SPECIFICATIONS FOR RECLAIMED WATER LINES AND FITTINGS.	

LAS VIRGENES MUNICIPAL WATER DISTRICT

PREPARED BY
BOYLE
ENGINEERING
Ventura Division

4" BLOW-OFF ASSEMBLY
CL. 200 or 400

STD. DWG. NO.
R-10
DATE: 5-24-82



GENERAL NOTES:

1. WATER FROM A RECLAIMED IRRIGATION SYSTEM WILL NOT BE PERMITTED INSIDE FENCES OR ON LOT PADS.
2. ALL RECLAIMED SPRINKLER HEADS AT FENCES SHALL BE EQUIPPED WITH DEFLECTOR SHIELDS TO PREVENT OVER-SPRAY INSIDE FENCE.
3. WHEN FENCES ARE INSTALLED ON 1/2 : 1 OR 2 : 1 SLOPES, THE HORIZONTAL SEPARATION BETWEEN THE POTABLE AND RECLAIMED IRRIGATION LINES SHALL BE A MINIMUM OF 9 HORIZONTAL FEET. ALL OTHER SEPARATION SHALL BE 10 HORIZONTAL FEET.

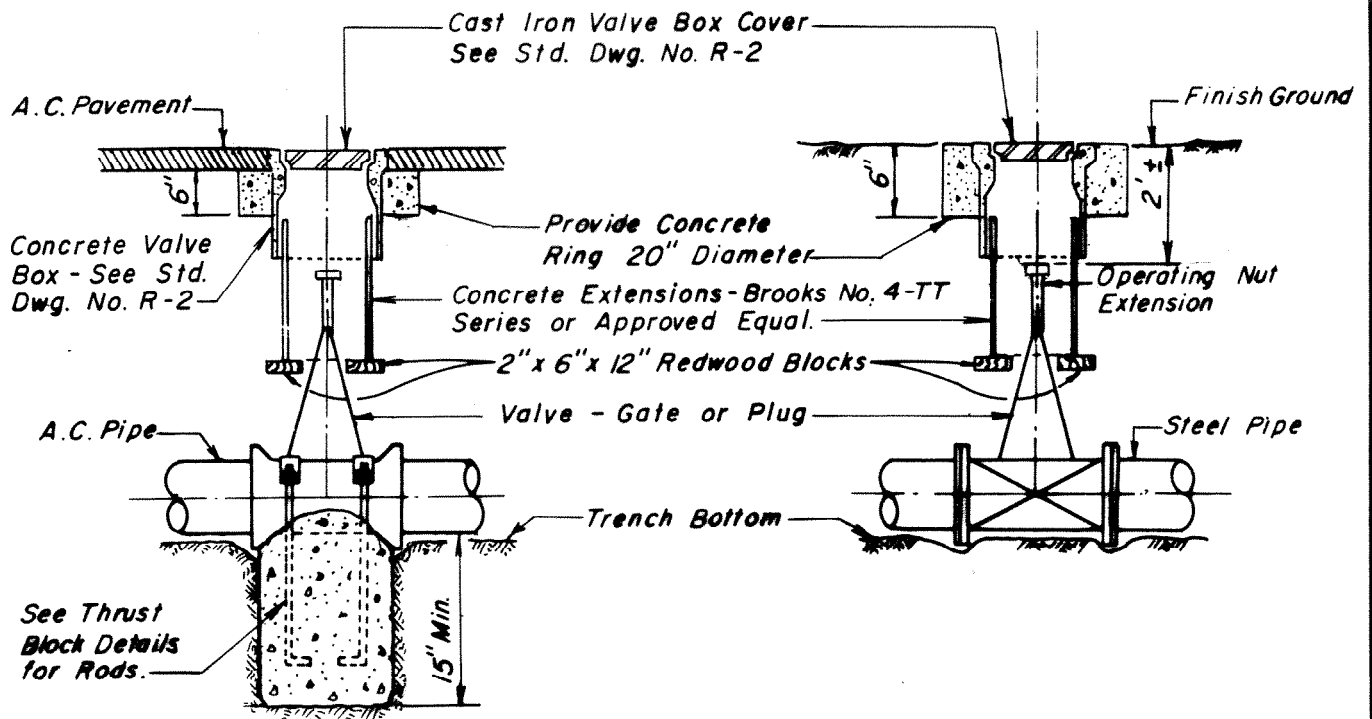
LAS VIRGENES MUNICIPAL WATER DISTRICT

RECLAIMED WATER - POTABLE
WATER SEPARATION LAYOUT

PREPARED BY
L.V.M.W.D.

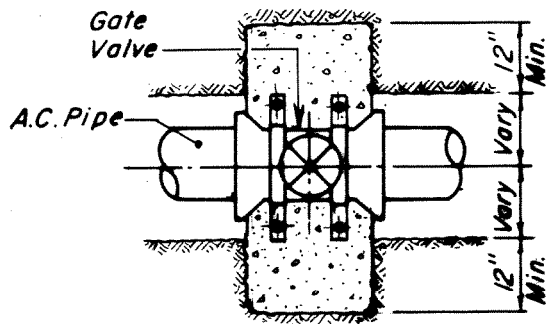
STD. DWG.
R-11

DATE: 2-28-83



ELEVATION

ELEVATION



PLAN

NOTES

1. All thrust blocks shall rest against undisturbed earth. See Standard Drawing Number 13.
2. When valve is located deeper than 6 feet to top of pipe from finish grade locate in manhole per Standard Drawing Number 31.
3. Butterfly valves require special design for thrust blocks and connections to A.C. pipelines.
4. Valve box cover shall be painted Desert Tan, Koppers Number III.
5. Valves shall be coated with bitumastic and wrapped with polyethylene film per the Standard Specifications for the type of valve used.
6. When operating nut on gate valve is 4 feet to 6 feet deep provide operating nut extension per Standard Drawing Number R-10.
7. Concrete shall not interfere with joints between valve and pipe. Concrete shall not cover flanges, bolts, nuts, etc.

LAS VIRGENES MUNICIPAL WATER DISTRICT

PREPARED BY
BOYLE
ENGINEERING
Ventura Division

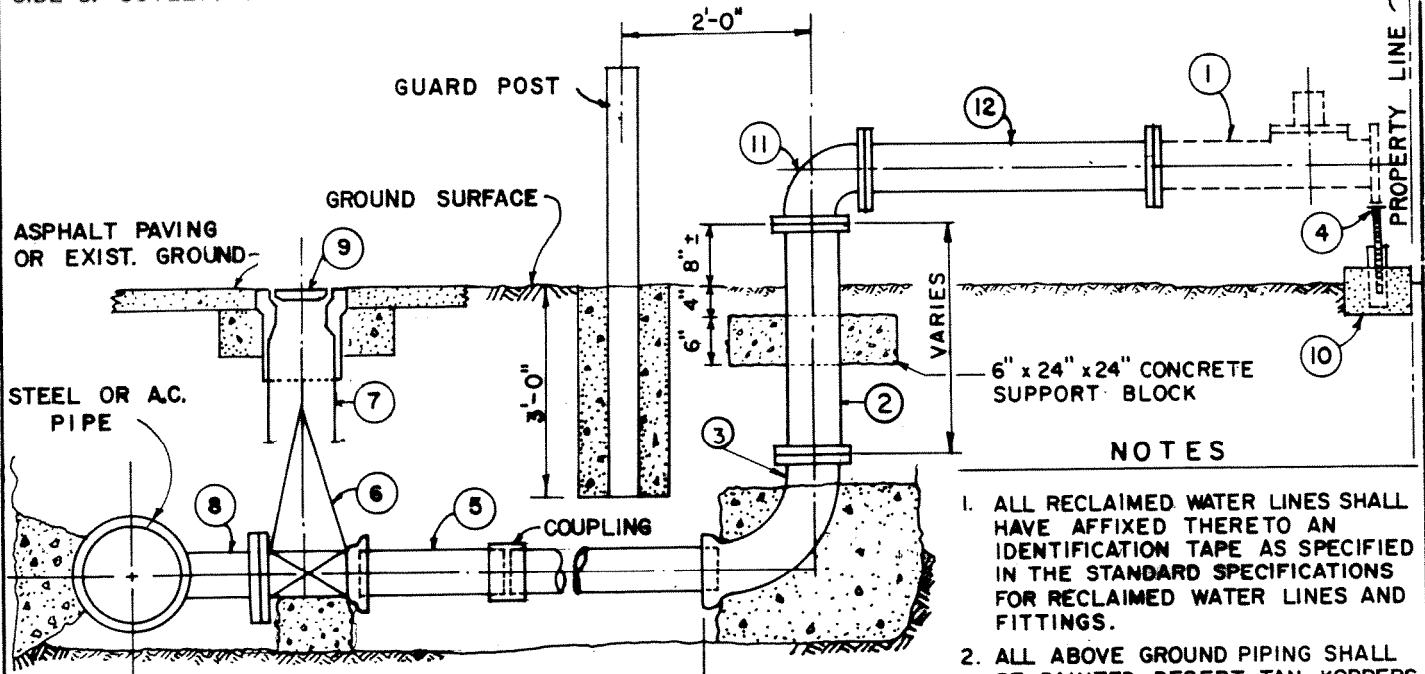
**VALVE ASSEMBLY
DETAILS**

STD. DWG. NO.
R-12

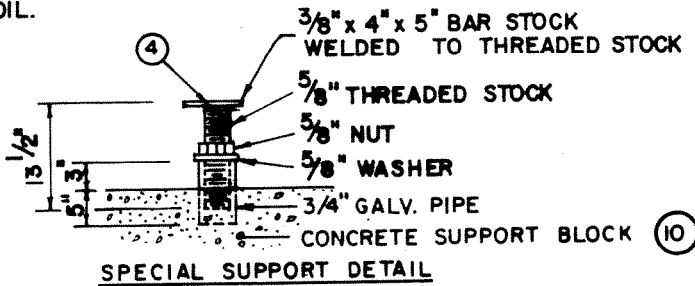
DATE: 2-28-83

NOTE: SERVICE OUTLETS SHALL BE PROTECTED WITH TWO GUARD POSTS CONSISTING OF 6' LENGTHS OF 4" STD. WT. PIPE FILLED WITH GROUT AND SET 3' BELOW GRADE IN 16" O.D. CONC. BASE. POSITION POSTS 2' IN FRONT OF AND 2.5' EACH SIDE OF OUTLET. CROWN CONC. BASE AT TOP TO SHED WATER.

NOTE: ITEM NO. 1 SHALL BE FURNISHED AND INSTALLED BY LAS VIRGENES M.W.D.



BEARING AREA TO BE ADEQUATE FOR PRESSURE AND SOIL.



NOTES

1. ALL RECLAIMED WATER LINES SHALL HAVE AFFIXED THERETO AN IDENTIFICATION TAPE AS SPECIFIED IN THE STANDARD SPECIFICATIONS FOR RECLAIMED WATER LINES AND FITTINGS.
2. ALL ABOVE GROUND PIPING SHALL BE PAINTED DESERT TAN, KOPPERS NO. III. ALSO STENCILED "RECLAIMED WATER DO NOT DRINK".
3. WHEN OPERATING NUT ON GATE VALVE IS 4 FEET TO 6 FEET DEEP PROVIDE OPERATING NUT EXTENSION PER STANDARD DRAWING NO. R-10.

CLASS 200 INSTALLATION

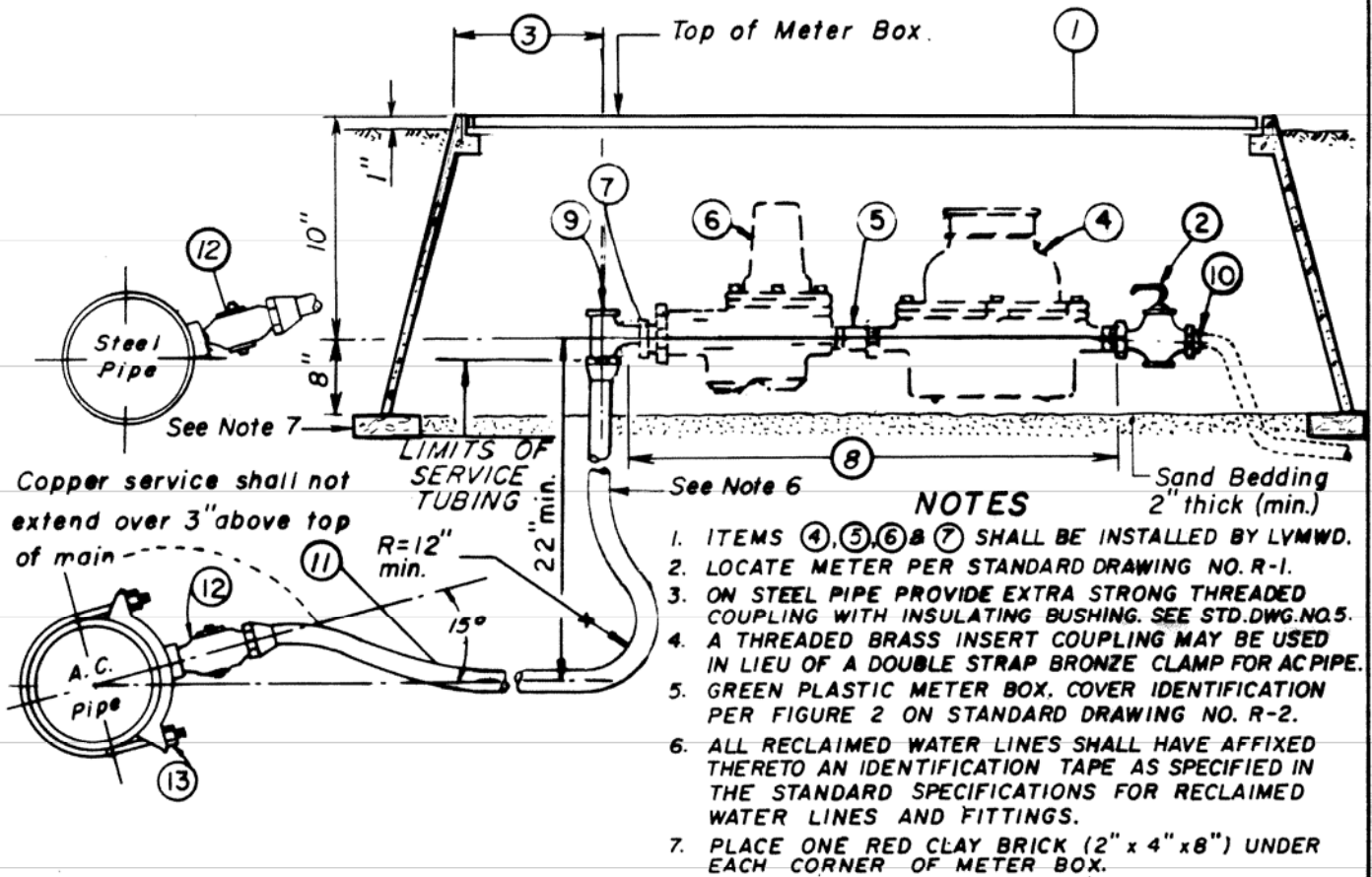
ITEM	NO.	DESCRIPTION	REMARKS
1	1	4" OR 6" SPARKING FLANGED TUBE METER	(HIGH VELOCITY DESIGN)
2	1	FLANGED STEEL SPOOL 12 GA.	LENGTH AS REQUIRED - CML & CMC
3	1	FLANGED OR FLG. x R.T. CAST IRON ELBOW	MORTAR LINED
4		SPECIAL SUPPORT	SEE DETAIL THIS SHEET
5	-	ASBESTOS CEMENT PIPE (3'-3" MIN. PER PIECE)	CLASS 200 - MOA NOT ACCEPTABLE
6	1	GATE VALVE - FLANGE x RING TITE	MUELLER A2380-26 OR TAPPING VALVE H642
7	1	CONCRETE EXTENSIONS	SEE STD. DWG. R-2 & R-12
8	1	FLG. OUTLET	CML & CMC
9	1	CAST IRON VALVE BOX COVER	SEE STD. DWG. R-2
10	1	CONC. SUPPORT BLOCK 12" x 12" x 6"	
11	1	FLANGED CAST IRON ELBOW	8 HOLE PATTERN - MORTAR LINED
12	1	FLANGED STEEL SPOOL 12 GA.	3' MINIMUM LENGTH - CML & CMC

LAS VIRGENES MUNICIPAL WATER DISTRICT

RECLAIMED WATER SERVICE ASSEMBLY
FOR 4 INCH TO 6 INCH ASSEMBLIES

STD. DWG. NO.
R-13
DATE: 2-28-83

WORKING PRESSURE 151 TO 250 P.S.I.

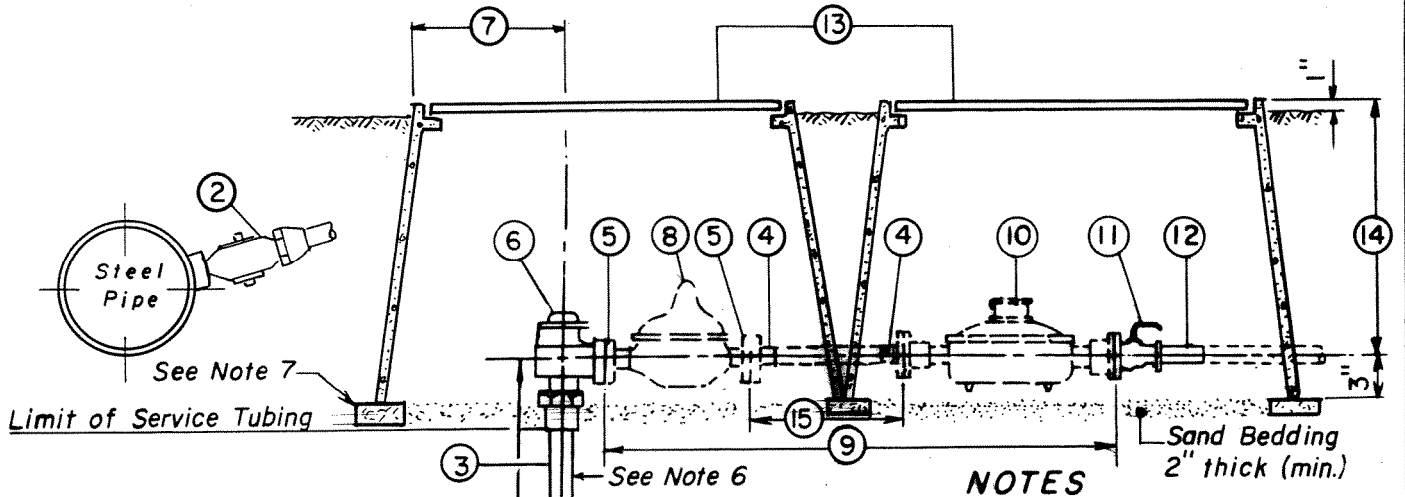


ITEM	QTY	DESCRIPTION	3/4" METER SERVICE	1" METER SERVICE
1	1	Plastic Meter Box	Carson No.1730-12L-See Note 5	Carson No.1730-12L-See Note 5
2	1	Ball Valve with Lever Handle 1-1/4 Swivel Nut with Iron Pipe Thread. Tapped End	Mueller H-14345 or Jones No. 1908 or Ford B13-454/HH34	Mueller H-14345 or Jones No. 1908 or Ford B13-454/HH34
3	-	Box Edge to Angle Meter Stop Distance	4"	2"
4	1	Meter	3/4" x 1" District Meter	1" District Meter
5	1	Meter Coupling	Mueller H 10890	not required
6	1	Pressure Regulating Valve with 1-1/4" male inlet	Wilkins 1" Regulator (L.V. Special)	Wilkins 1-1/4" Regulator (L.V. Special)
7	1	1" Ford Adapter for Regulators on Tandem Resetters and Bushing	Not Required	1" Meter Thrd. x 1-1/4" M.I.P.
8	1	Iron Pipe Spacer	1-1/4" x 17"	1-1/4" x 21-3/4"
9	1	Angle Meter Stop with Swivel Nut	Mueller H14255, Jones J1525 or Ford KVC-3W	Mueller H14255, Jones J1525 or Ford KVC-3W
10	1	Nylon Bushing	1" x 1-1/4"	1" x 1-1/4"
11	1	Copper Service Tubing	1" Type K (soft)	1" Type K (soft)
12	1	Corporation Stop	Mueller H 15025 or Jones J 1505	Mueller H 15025 or Jones J 1505
13	1	Bronze Service Clamp, Double Strap w/I.P. thread	Rockwell No. 323 or Jones J 979 A.C.P. only	Rockwell No. 323 or Jones J 979 A.C.P. only

LAS VIRGENES MUNICIPAL WATER DISTRICT

PREPARED BY BOYLE ENGINEERING	<h1 style="margin: 0;">3/4" & 1" WATER SERVICE ASSEMBLIES</h1>	STD. DWG. NO. R-14 DATE: 2-28-83
--	---	---

WORKING PRESSURE 151 TO 250 P.S.I.



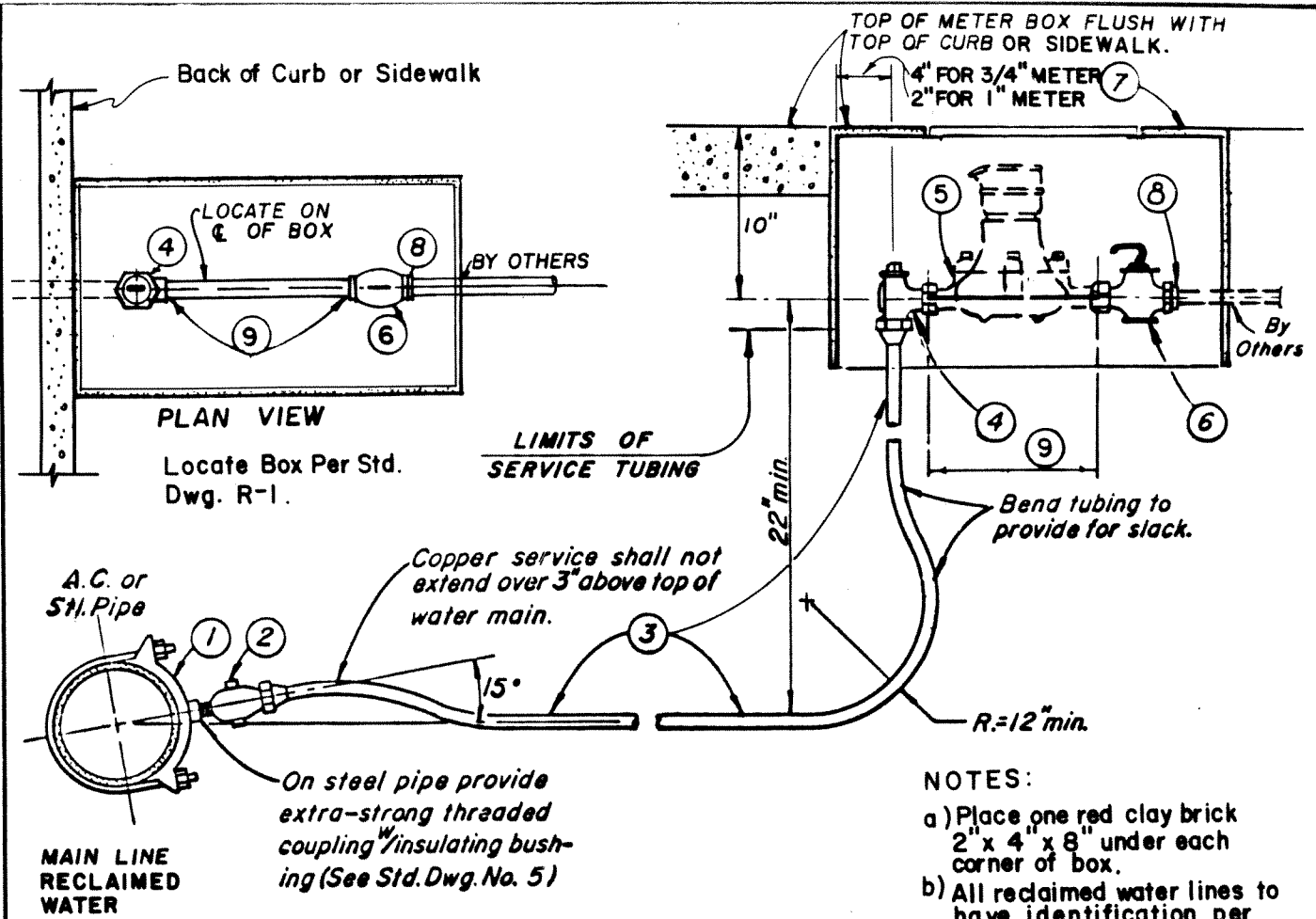
NOTES

1. ALL FLANGED CONNECTIONS SHALL BE MADE WITH BRONZE NUTS AND BOLTS.
2. ITEMS 4 5 8 10 & 15 SHALL BE INSTALLED BY LVMWD.
3. LOCATE ASSEMBLY AS SHOWN ON STANDARD DRAWING NO. R-1.
4. GREEN PLASTIC METER BOX. COVER IDENTIFICATION PER FIGURE 2 ON STANDARD DRAWING NO. R-2.
5. ON STEEL MAINS PROVIDE EXTRA STRONG THREADED COUPLING WITH INSULATING BUSHING. SEE STD. DWG. NO. 5.
6. ALL RECLAIMED WATER LINES SHALL HAVE AFFIXED THERETO AN IDENTIFICATION TAPE AS SPECIFIED IN THE STANDARD SPECIFICATIONS FOR RECLAIMED WATER LINES AND FITTINGS.
7. PLACE ONE RED CLAY BRICK (2" x 4" x 8") UNDER EACH CORNER OF METER BOXES.

ITEM	QTY.	DESCRIPTION	1-1/2" METER SERVICE	2" METER SERVICE
1	1	Double Strap Bronze Service Clamp with iron pipe threads	Rockwell No.323 or Jones J 979 A.C.P. only	Rockwell No. 323 or Jones J 979 A.C.P. only
2	1	Corporation Stop	Jones J 1929 or Ford FB 700	Jones J 1929 or Ford FB 700
3	1	Copper Service Tubing	1-1/2" Type K (soft)	2" Type K (soft)
4	2	Bronze Meter Flanges	Ford No. 6	Ford No. 7
5	2	Bronze Meter Flanges/Nylon Bushings	Ford No.67F/H/2"x2" I.P. Nip.	Ford No.78F/2"x2 1/2" I.P. Nip.
6	1	Flanged Angle Meter Valve w/Lockwing	Ford No.FV23-666W	Ford No. FV23-777W
7		Box edge to Angle Meter Stop dist.	9"	8"
8	1	Pressure Regulating Valve(Screwed)	Cla Valve No. 90B	Cla Valve No. 90B
9	1	Iron Pipe Jumper with (Item 4) 2 hole flanges	1-1/2"x 47"	2"x 50"
10	1	Meter Flanged	1-1/2" District Meter	2" District Meter
11	1	Bronze Ball Valve	Jones J 1913 or Ford BF 13-676 HB-67 Handle	Jones J 1913 or Ford BF 13-777 HB-67 Handle
12	1	Plastic Nipple (P.V.C.)	1-1/2" x 8"	2" x 8"
13	2	Plastic Meter Box - See Note 4	Carson No.1730-12L	Carson No. 1730-12L
14	1	Top of Box to Center line	15"	15"
15	1	Copper Tube Jumper Type K	1-1/2" x 21-9/16"	2" x 17-7/8"

LAS VIRGENES MUNICIPAL WATER DISTRICT

PREPARED BY BOYLE ENGINEERING Ventura Division	<h1 style="margin: 0;">1 1/2" & 2" WATER SERVICE ASSEMBLIES</h1>	STD. DWG. NO. R-15 DATE: 2-28-83
---	--	--



MAXIMUM WORKING PRESSURE 150 P.S.I.

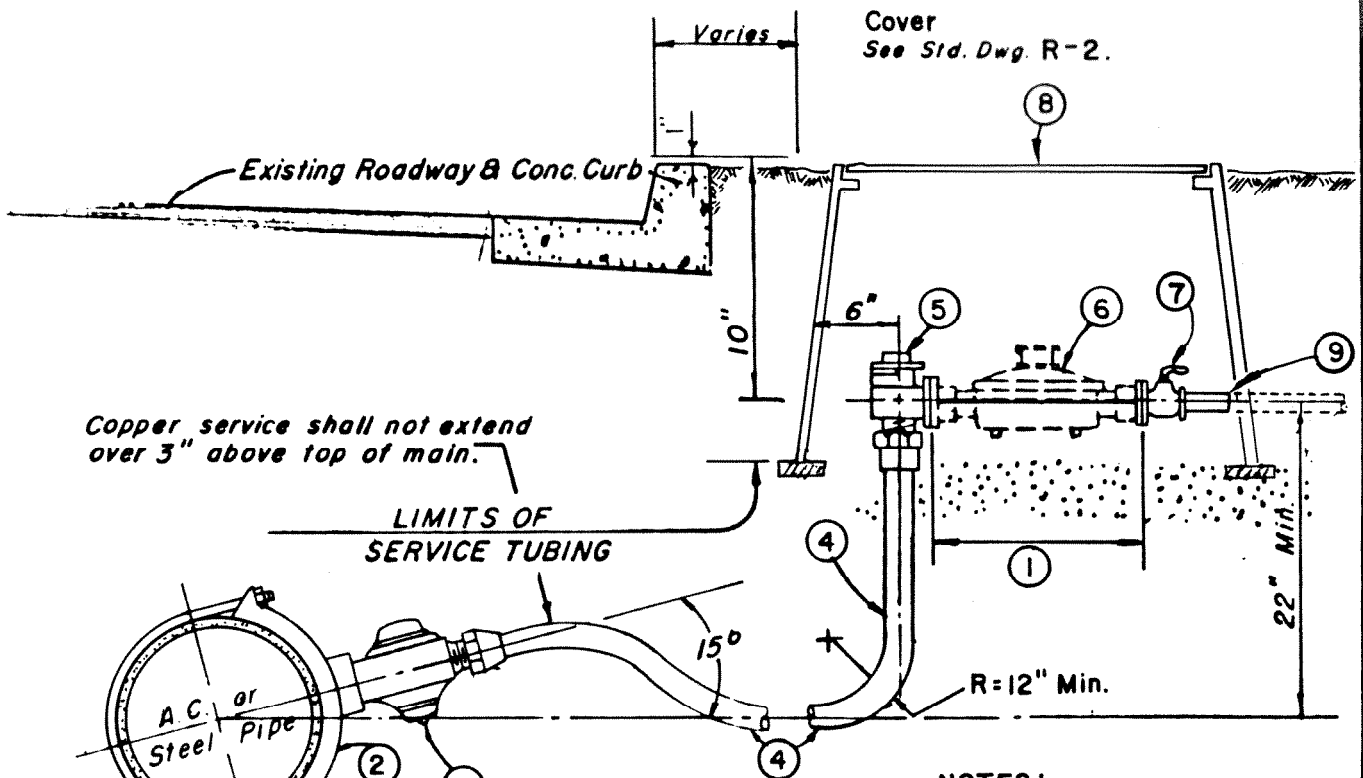
*** A.C. PIPE ONLY**

ITEM	QTY.	DESCRIPTION	3/4" METER SERVICE	1" METER SERVICE
1	1	Bronze Service Clamp, Double * Strap with iron pipe thread	Rockwell No. 323 or Jones J 979 A.C.P. only	Rockwell No. 323 or Jones J 979 A.C.P. only
2	1	Corporation Stop	Jones No. J 1505 or Mueller No. H15025	Jones No. J 1505 or Mueller No. H15025
3	-	Copper Service Tubing	1" Type K (soft)	1" Type K (soft)
4	1	Angle Meter Stop with Lockwing (1-1/4" x 1")	Jones No. J 1525 or Mueller No. H14255	Jones No. J 1525 or Mueller No. H14255
5	1	Meter-INSTALLED BY DISTRICT	3/4" x 1" District Meter	1" District Meter
6	1	1" Ball Valve with Lever Handle, 1-1/4" Swivel Nut and 1-1/4" P.T. Iron Pipe Thread. Tapped End	Jones No. J 1908 Mueller H 14345 Ford B13 454/HH34	Jones No. J 1908 Mueller H 14345 Ford B13 454/HH34
7	1	Plastic Meter Box and Cover (Green) with penta-head bolts.	Carson No. 1419-12B	Carson No. 1419-12B
8	1	Nylon Bushing	1" x 1-1/4"	1" x 1-1/4"
9	1	Iron pipe Spacer	1-1/4" x 9"	1-1/4" x 10"-3/4"

LAS VIRGENES MUNICIPAL WATER DISTRICT

**3/4" & 1" RECLAIMED
WATER SERVICE ASSEMBLY**

STD. DWG. NO.
R-16
DATE: 9-11-84



Copper service shall not extend over 3" above top of main.

LIMITS OF SERVICE TUBING

Locate Per Std. Dwg. R-1.

On steel main provide extra-strong threaded coupling* insulating bushing (See Std. Dwg. No. 5)

NOTES:

- (a) All flange connections shall be made with bronze nuts and bolts.
- (b) Place one red clay brick 2" x 4" x 8" under each corner of box.
- (c) All reclaimed water lines to have identification per Standard Specs.

* A.C. Pipe only

MAXIMUM WORKING PRESSURE 150 P.S.I.

ITEM	QTY.	DESCRIPTION	1-1/2" METER SERVICE	2" METER SERVICE
1	1	Iron Pipe Spacer	1-1/2" x 13"	2" x 17"
2	1	Double Strap Bronze Service Clamp with I.P. thread *	Jones No. J 979 or Rockwell No. 323	Jones No. J 979 or Rockwell No. 323
3	1	Corporation Stop	Jones No. J 1929 or Ford FB 700	Jones No. J 1929 or Ford FB 700
4	1	Copper Service Tubing	1-1/2" Type K (soft)	2" Type K (soft)
5	1	Angle Meter Stop- Flanged with Lockwing	Ford No. FV23-666W	Ford No. FV23-777W
6	1	Meter-Installed by District	1-1/2" District Meter	2" District Meter
7	1	Bronze Ball Valve	Jones No. J 1913 or Ford BF 1377 & HB 67	Jones No. J 1913 or Ford BF 1377 & HB 67
8	1	Plastic Meter Box (Green)	Carson 1730-12L	Carson 1730-12L
9	1	Plastic Nipple (P.V.C. Schedule 80)	1-1/2" x 8	2" x 8"

LAS VIRGENES MUNICIPAL WATER DISTRICT

1/2" & 2" RECLAIMED WATER SERVICE ASSEMBLY

STD. DWG. NO. R-17
DATE: 9-11-84