

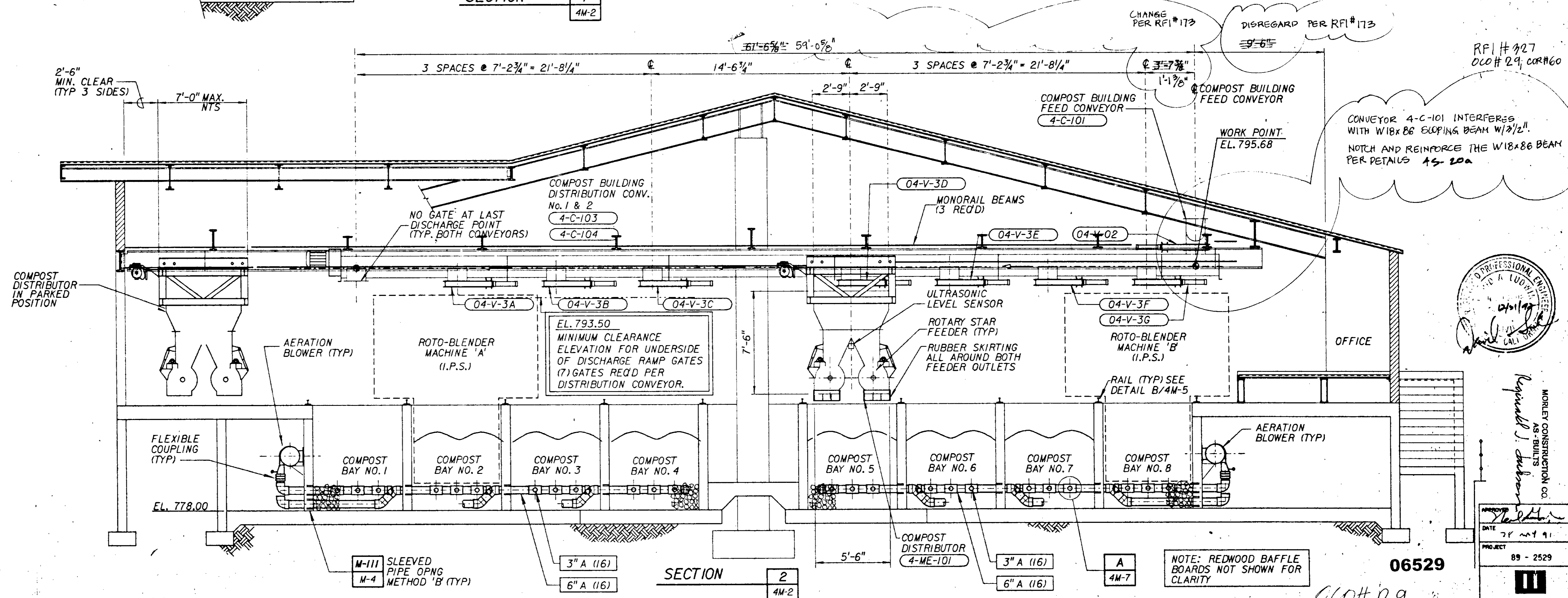
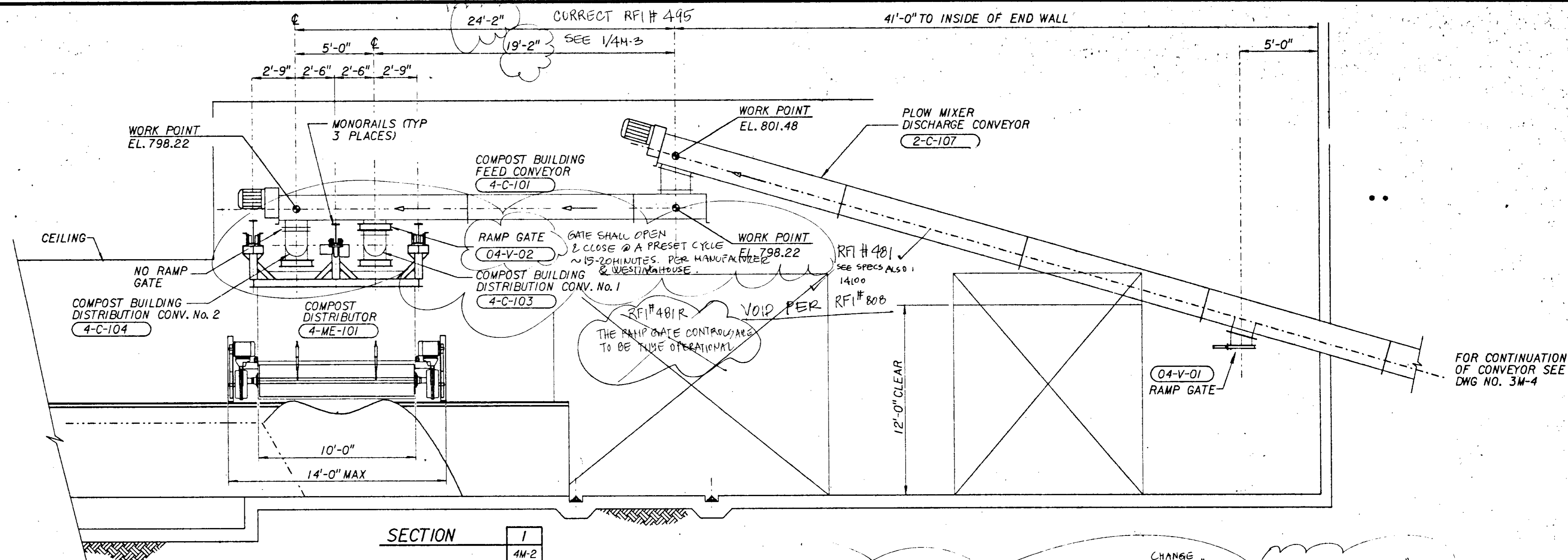
COMPOST REACTOR BUILDING - ISOMETRICS
SCALE: NONE

06542



FILE No. lv94m15.dgn

JOB No.	DESIGNED	SUBMITTED	James M. Montgomery Consulting Engineers, Inc. Pasadena, California	APPROVED	LAS VIRGENES MWD/TRIUNFO CSD RANCHO LAS VIRGENES-REGIONAL FACILITIES EXPANSION IV SOLIDS HANDLING AND COMPOSTING FACILITIES	SHEET 4M-15 OF 508 SHEETS		
	SCALE: NONE	10 PE 3704 PROJECT ENGINEER R. C. E. No.		28 MAY 91 DATE			DISTRICT'S APPROVAL ON COVER SHEET	
REV	DATE	BY	DESCRIPTION	DRAWN D. MAGLEIC CHECKED L. BENNETT	RECOMMENDED JAMES M. MONTGOMERY CONSULTING ENGINEERS, INC. 33699 R. C. E. No.	28 MAY 91 DATE	APPROVED DATE	COMPOST REACTOR BUILDING ISOMETRICS



JOB NO. F. No. lvs4m3.dgn

REV	DATE	BY	DESCRIPTION

SCALE: 1/4" = 1'-0"

WARNING
 0 1/2 1
 IF THIS BAR DOES NOT MEASURE 1" THEN DRAWING IS NOT TO SCALE.

DESIGNED: RXH/BM
 DRAWN: JJB
 CHECKED: L. BENNETT

SUBMITTED: *R. Howard* 5/8/02 28 MAY 91
 PROJECT ENGINEER: R. C. E. NO. DATE
 RECOMMENDED: *L.A. Swain* 33699 28 MAY 91
 JAMES M. MONTGOMERY CONSULTING ENGINEERS, INC. R. C. E. NO. DATE

JMM James M. Montgomery Consulting Engineers, Inc.
 Pasadena, California

APPROVED: DISTRICT'S APPROVAL ON COVER SHEET
 APPROVED: _____ DATE: _____

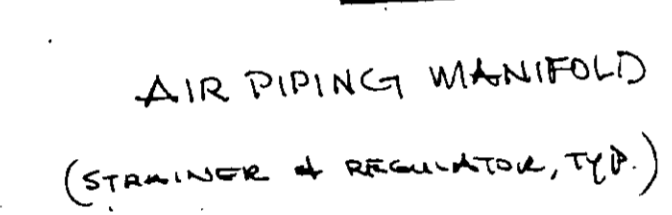
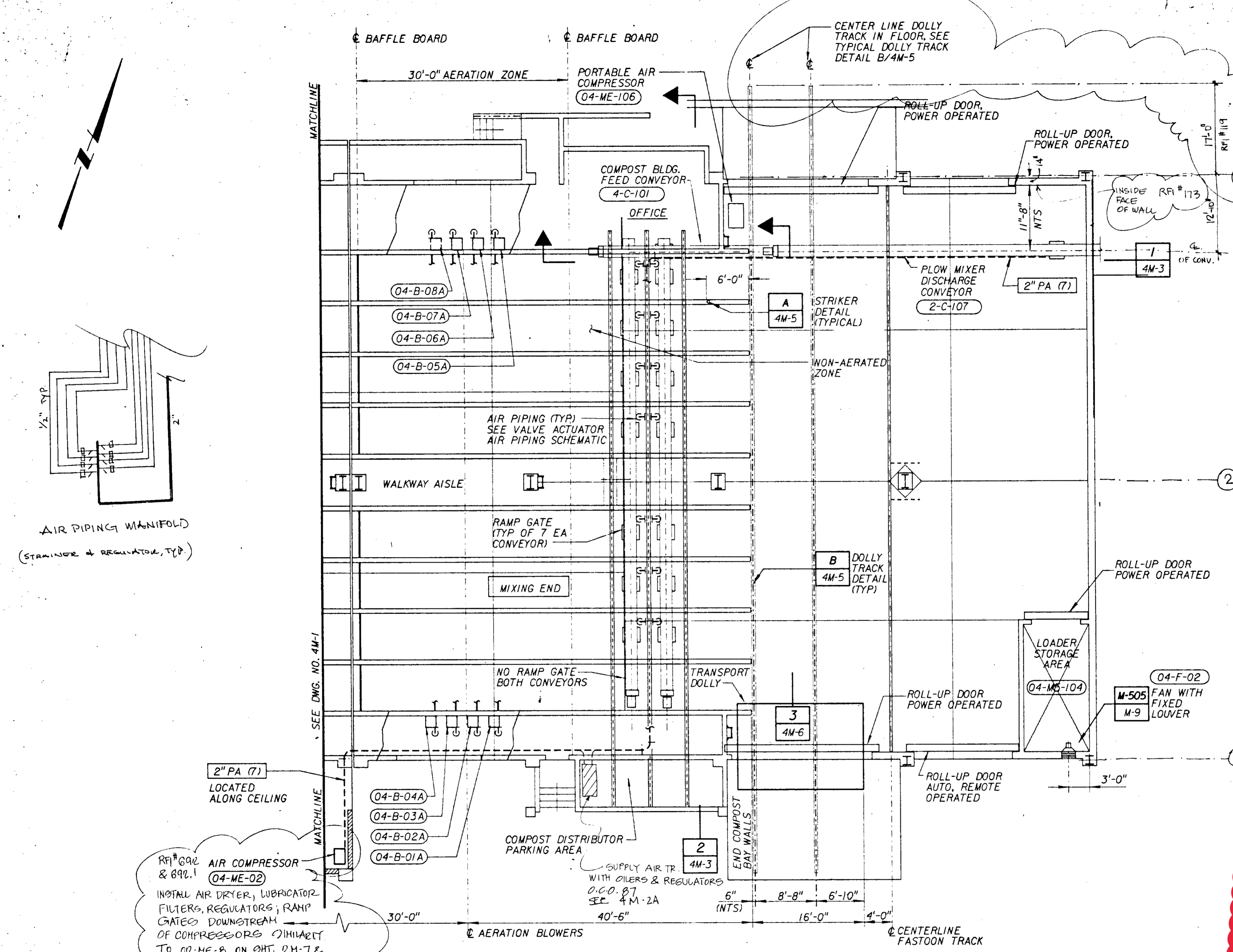
06529
 060#29

LAS VIRGENES MWD/TRIUNFO CSD
 RANCHO LAS VIRGENES-REGIONAL FACILITIES EXPANSION IV
 SOLIDS HANDLING AND COMPOSTING FACILITIES

NOTE: REDWOOD BAFFLE BOARDS NOT SHOWN FOR CLARITY

Harris Group Inc. SHEET 4M-3 OF 508 SHEETS

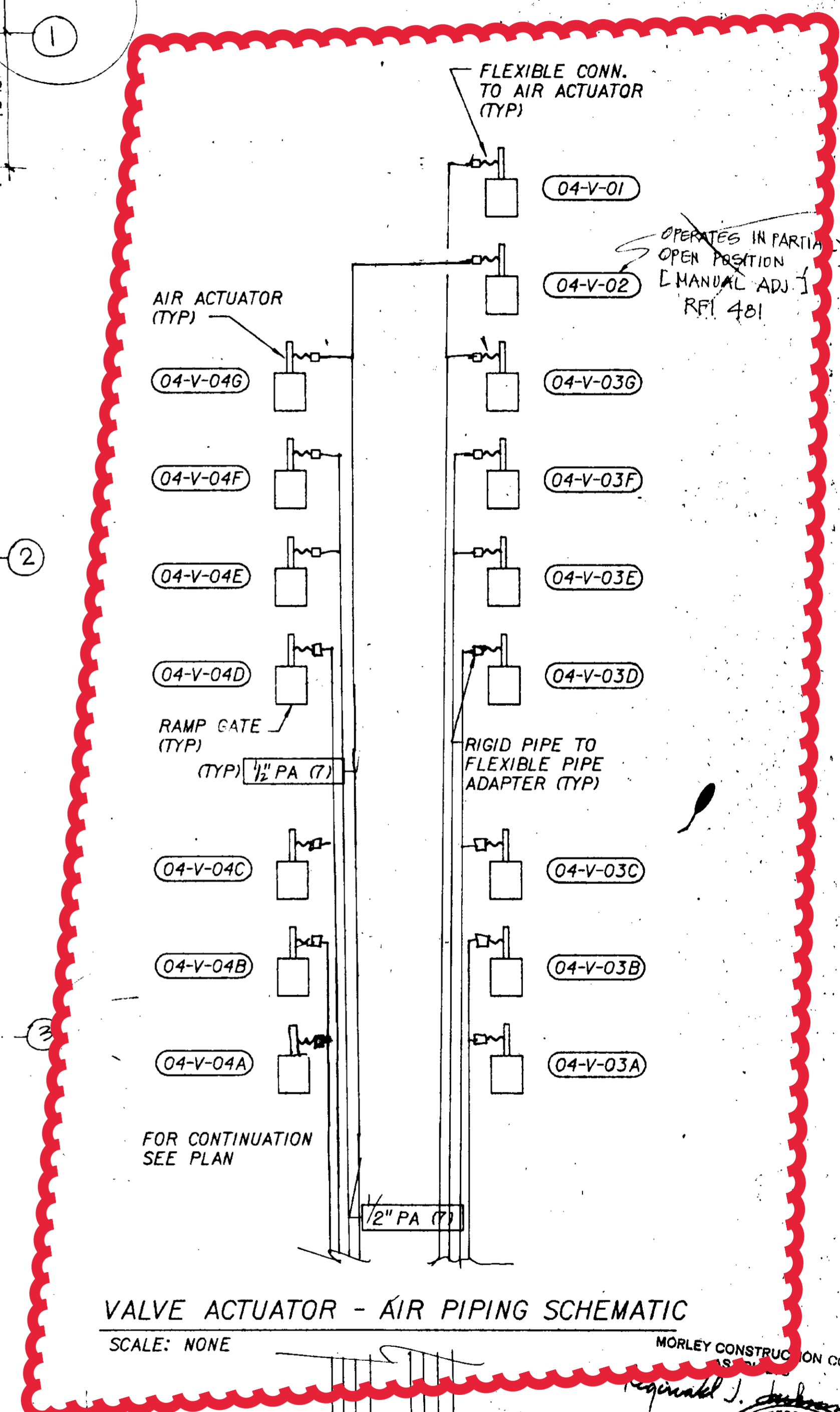
Existing airline to be removed.



RFI # 692 & 692.1
AIR COMPRESSOR
04-ME-02
INSTALL AIR DRYER, LUBRICATOR, FILTERS, REGULATORS; RAMP GATED DOWNSTREAM OF COMPRESSORS (SIMILAR TO 02-ME-8 ON SHT. 2M-7 & 2M-10.

000#87
PROVIDE HOA IN CONTROL PANEL FOR 04-ME-02 AIR COMPRESSOR.

PARTIAL MECHANICAL PLAN
SCALE: 1/8" = 1'-0"

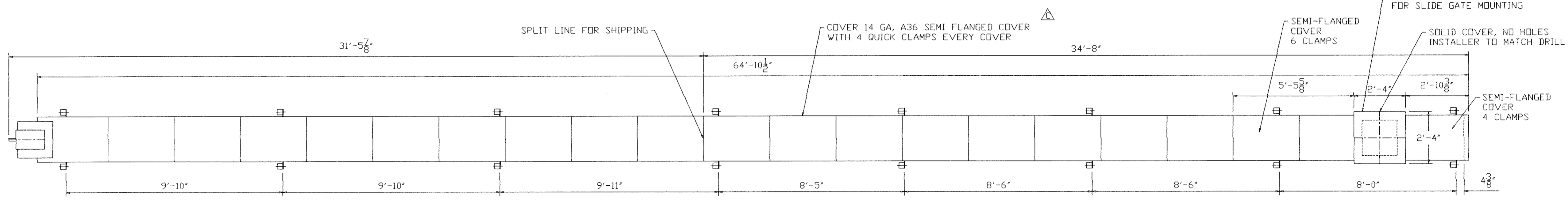
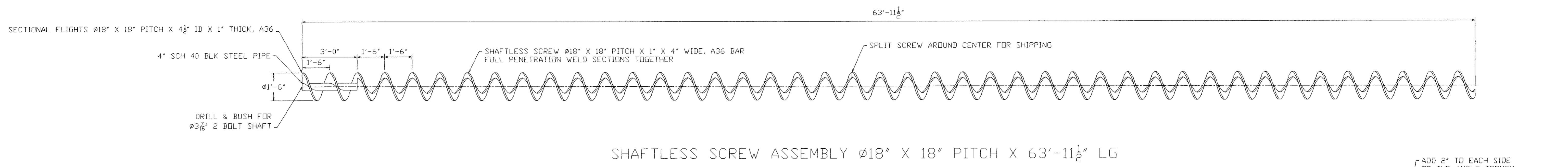


MORLEY CONSTRUCTION CO.
REGISTERED PROFESSIONAL ENGINEER
DAVID A. LUDWIG
No. 31918
City of California
06526

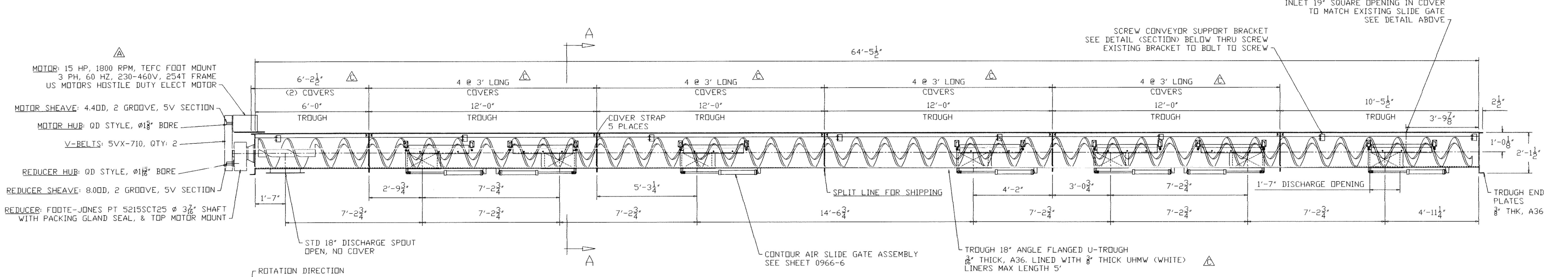
FILE No. Ivs4m2.dgn
JOB No.

DESIGNED: S. GILBERT	SUBMITTED: 10.28.94 28 MAY 91	APPROVED: DISTRICT'S APPROVAL ON COVER SHEET	LAS VIRGENES MWD/TRIUNFO CSD RANCHO LAS VIRGENES-REGIONAL FACILITIES EXPANSION IV SOLIDS HANDLING AND COMPOSTING FACILITIES	SHEET 4M-2 OF 508 SHEETS
DRAWN: D. MAGLECIC	PROJECT ENGINEER: R. G. E. NO. 33699 28 MAY 91	APPROVED: _____		
CHECKED: L. BENNETT	RECOMMENDED: JAMES M. MONTGOMERY CONSULTING ENGINEERS, INC.	Pasadena, California	COMPOST REACTOR BUILDING PARTIAL PLAN - II	

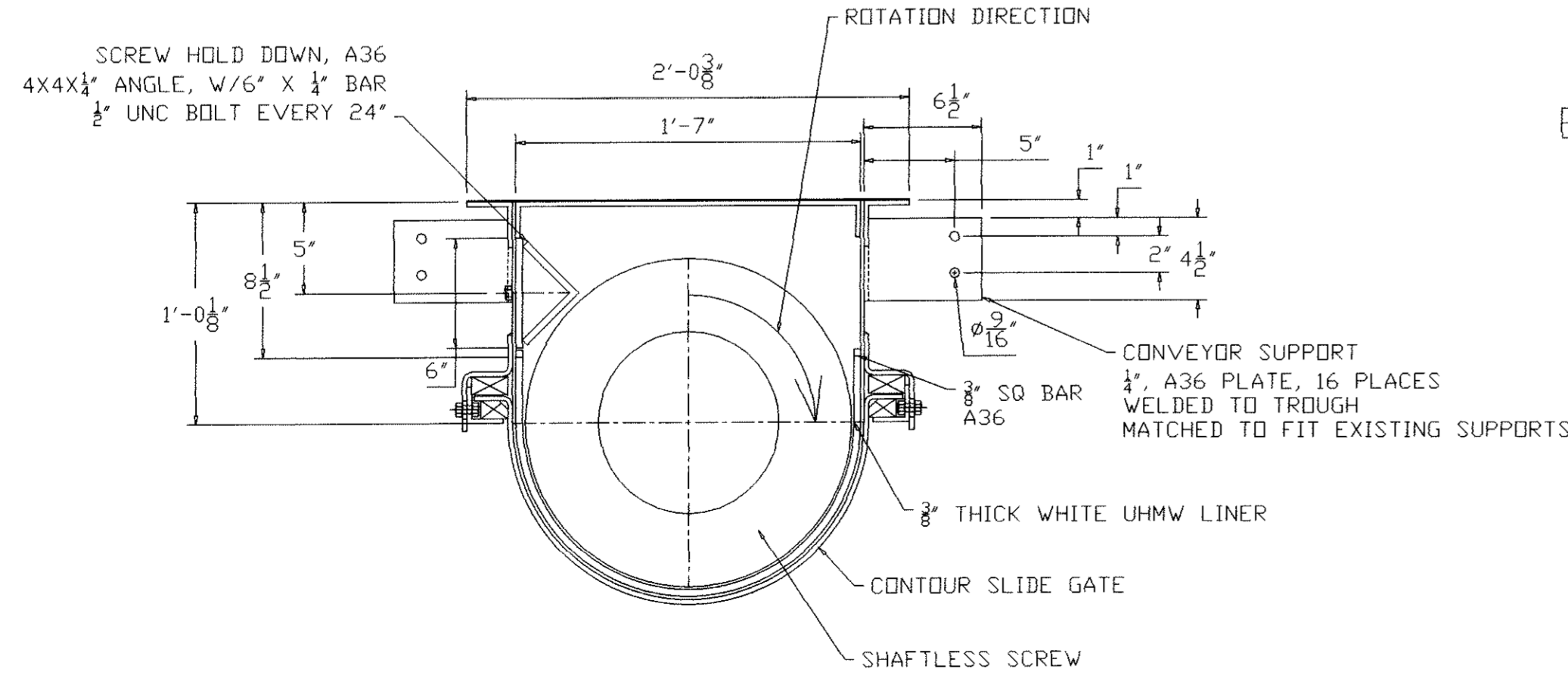
MATERIAL LIST						
IDENTIFICATION	SPECIFICATION					
	GROUP	PIECE	QUAN	DWG. OR PART NO	NAME DESCRIPTION MATERIAL	REFERENCE



PLAN VIEW SCREW CONVEYOR ASSEMBLY



ELEVATION VIEW Ø18" X 18" PITCH X 64'-5½" LONG SHAFTLESS SCREW CONVEYOR ASSEMBLY



- NOTE:
- BREAK ALL SHARP CORNERS AND EDGES
 - CONVEYOR PRIMED & PAINTED (OUTSIDE) CLEAN PAINTED SURFACES TO SSPC-SP3 PRIME PAINT: RODDA BARRIER 3, 3-4 MIL DFT FINISH PAINT: RODDA ALL PURPOSE EQ. ENAMAL 5-6 MILS DFT COLOR TO MATCH EXISTING EQUIPMENT
 - SPEED SENSORS TO BE REUSED

PRODUCT:	WWTP CLASS 2 SLUDGE
TEMPERATURE:	NOMINAL
CAPACITY:	680 CFH
SPEED (RPM):	38 RPM
HORSE POWER:	15 HP
EST. WEIGHT:	5000 LBS/EA
THIS DRAWING CONTAINS CONFIDENTIAL INFORMATION AND SHALL NOT BE REPRODUCED, COPIED OR DISCLOSED TO OTHERS WITHOUT PRIOR WRITTEN CONSENT OF AUSTIN-MAC INC.	
REFERENCES	FACTOR 1=32

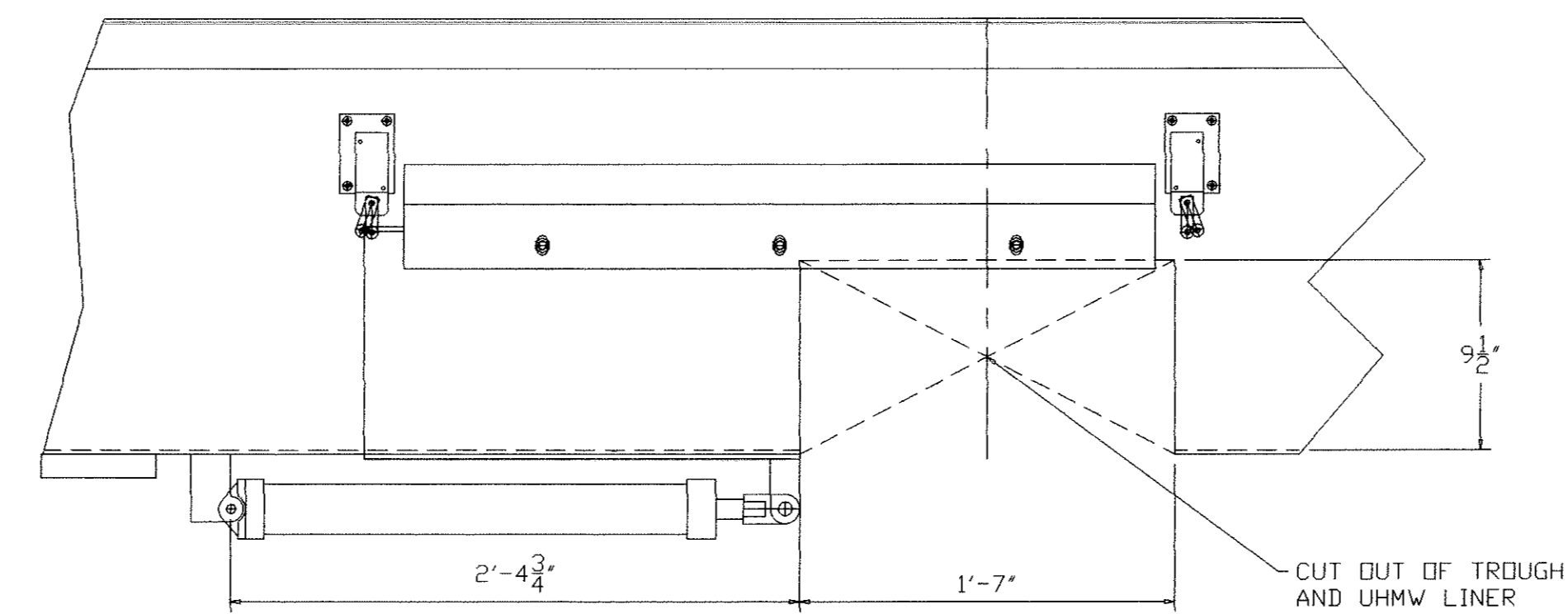


6/20/03	REVISED LENGTH OF COVERS & LINERS	08942
5/27/03	REVISED SLIDE GATE LIMIT SWITCHES	
2/6/03	REVISED MOTOR TO 15HP, STEEL TO A36	
1/17/03	SUBMITAL DRAWING	
REV	DATE	DESCRIPTION OF REVISION
CUSTOMER		LAS VIRGENES MUNICIPAL W.D.
DRAWN BY	DFM	CHECKED BY
AUSTIN-MAC, INC.		APPROVED BY
SEATTLE, WASHINGTON		
DATE	SCALE	DRAWING NUMBER
1/28/03	3/8"=1'-0"	0966-4

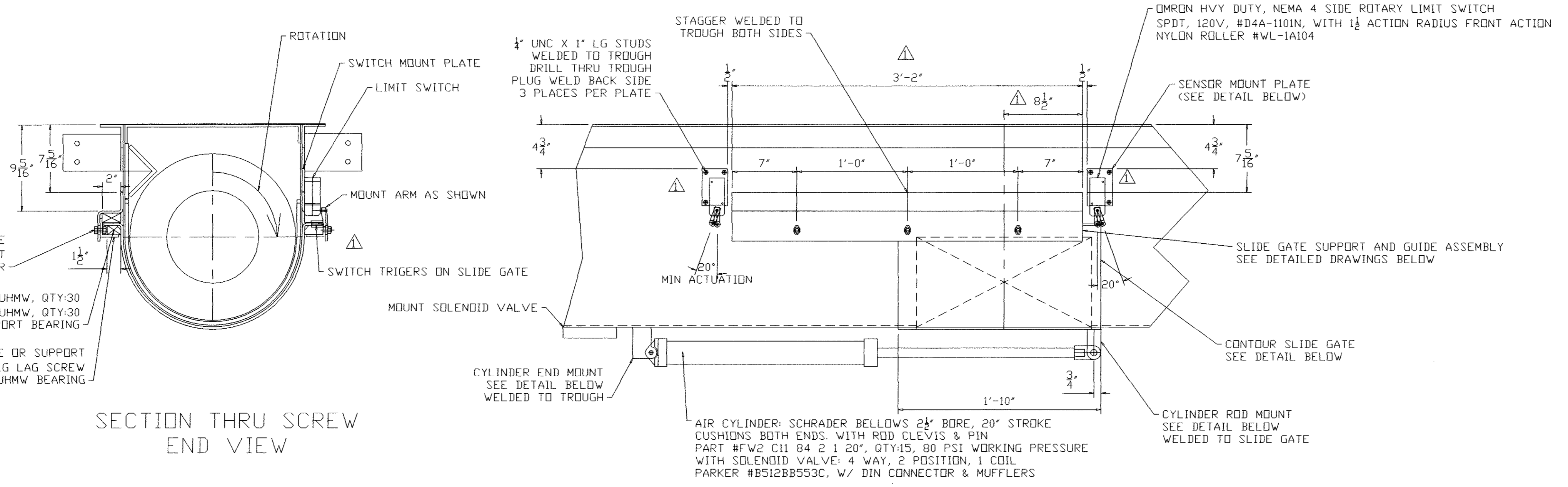
SAVE AS ORIGINAL

4M-3A APPROVED

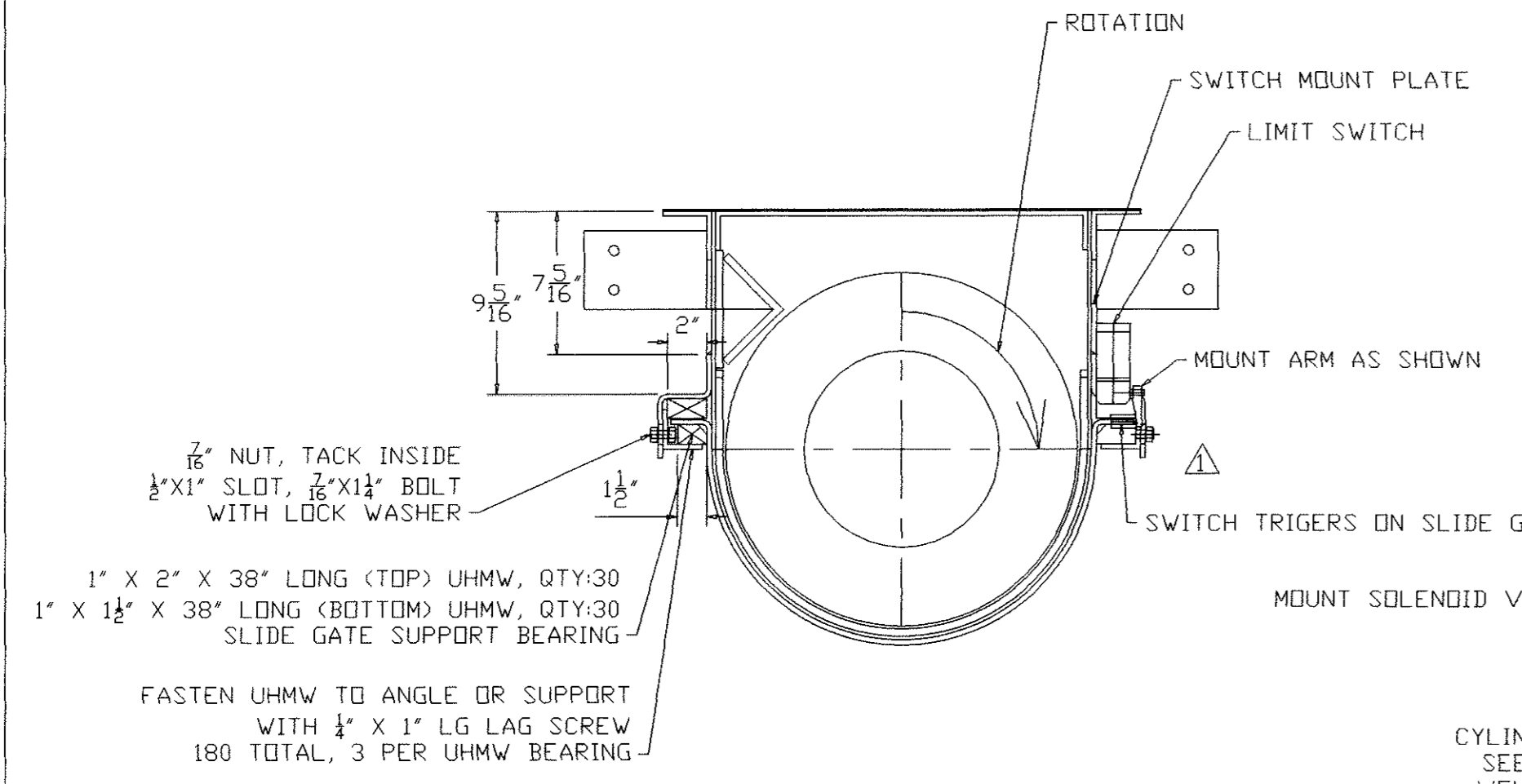
MATERIAL LIST					
IDENTIFICATION		SPECIFICATION			
GROUP	PIECE	QUN	DWG. DR. PART NO.	NAME DESCRIPTION MATERIAL	REFERENCE



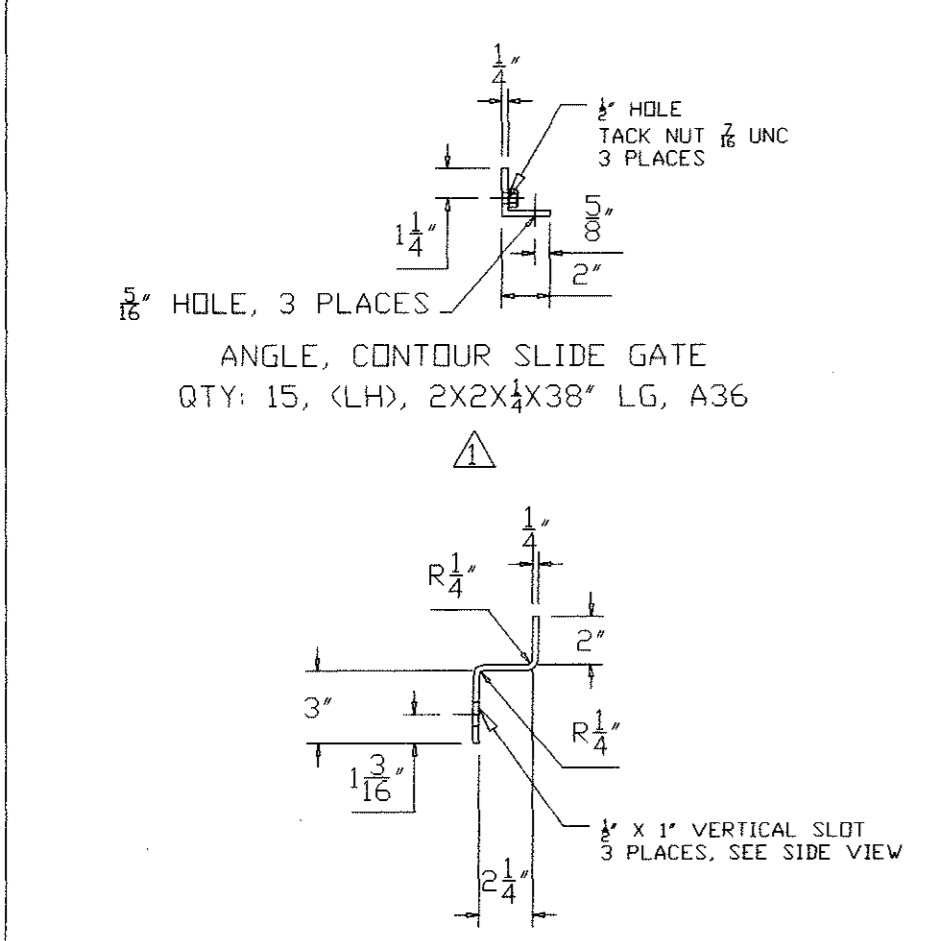
CONTOUR SLIDE GATE ASSEMBLY (OPEN POSITION)



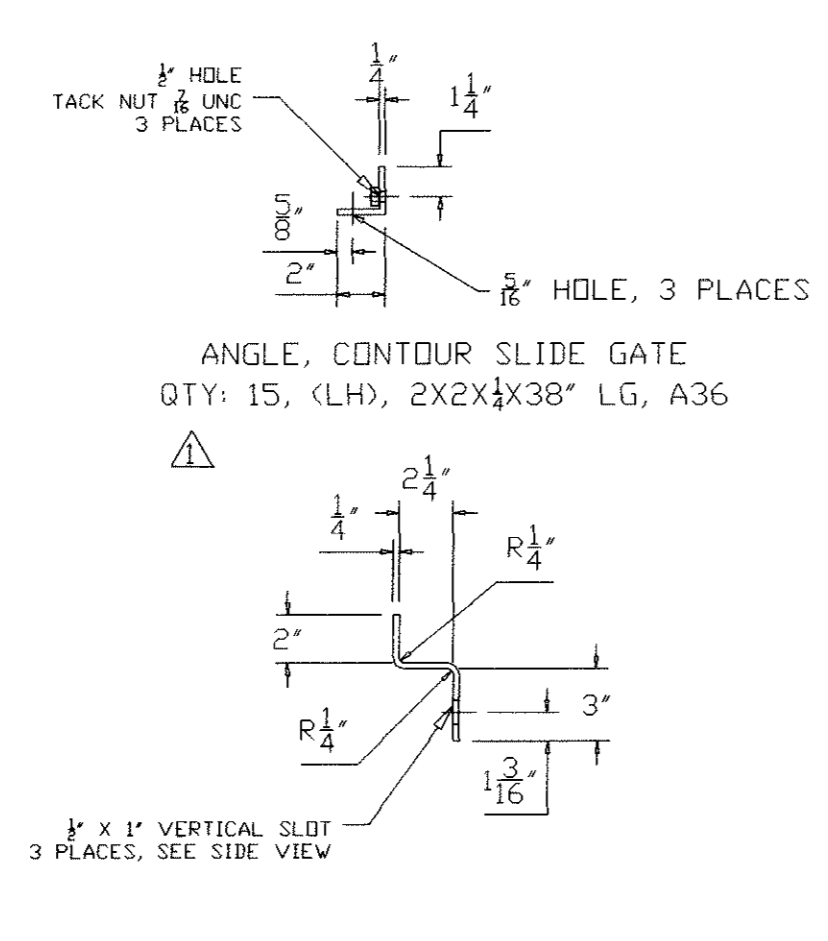
CONTOUR SLIDE GATE ASSEMBLY (CLOSED POSITION)



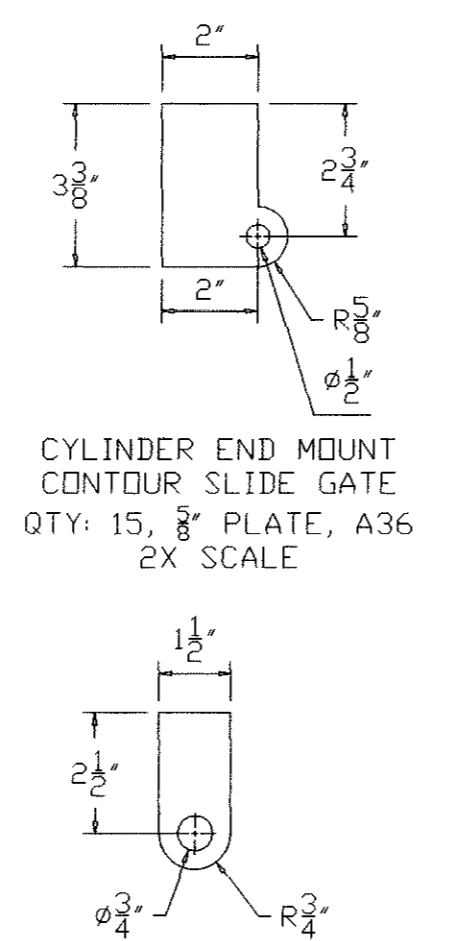
SECTION THRU SCREW END VIEW



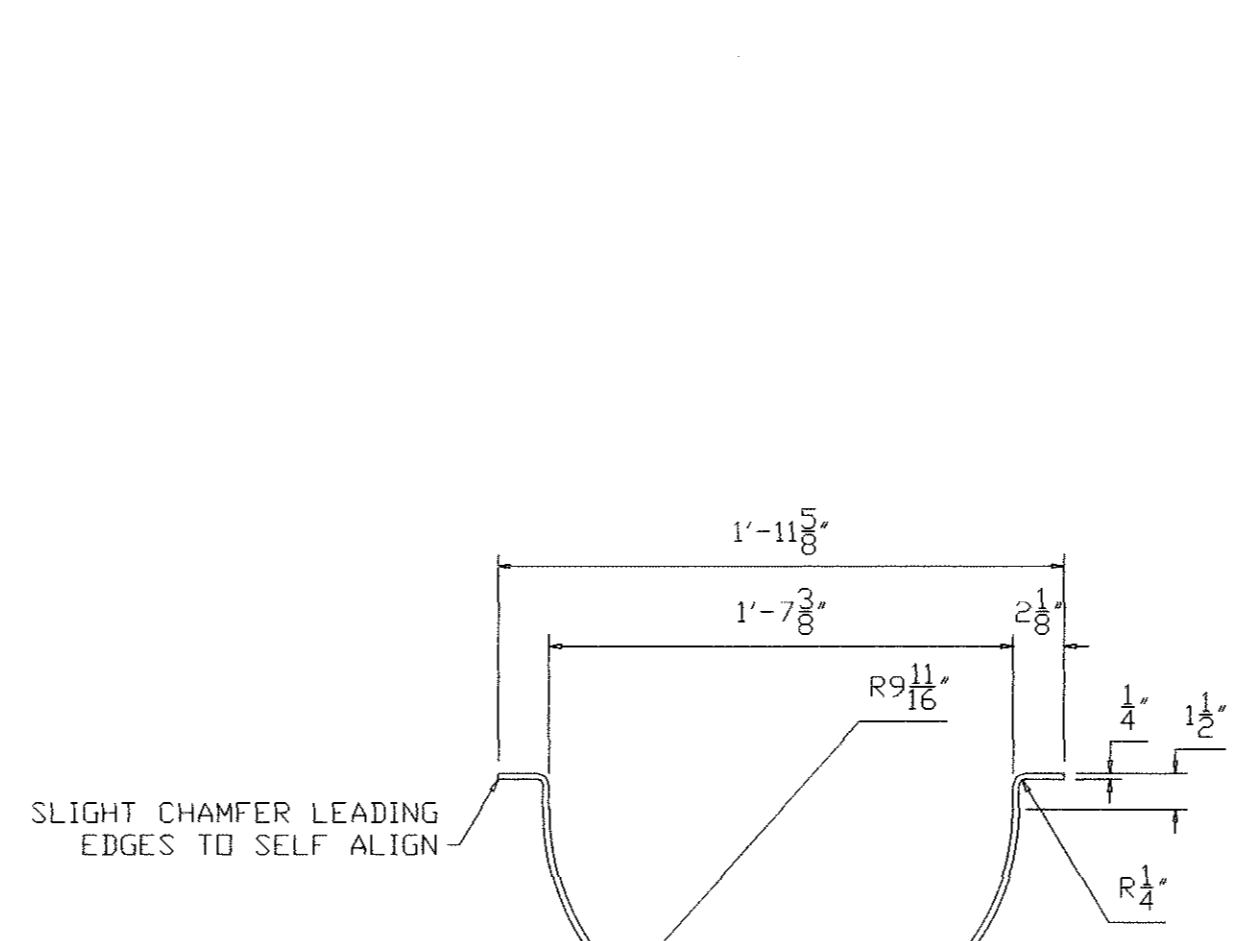
SUPPORT, CONTOUR SLIDE GATE QTY: 15, (LH), 1/4\"/>



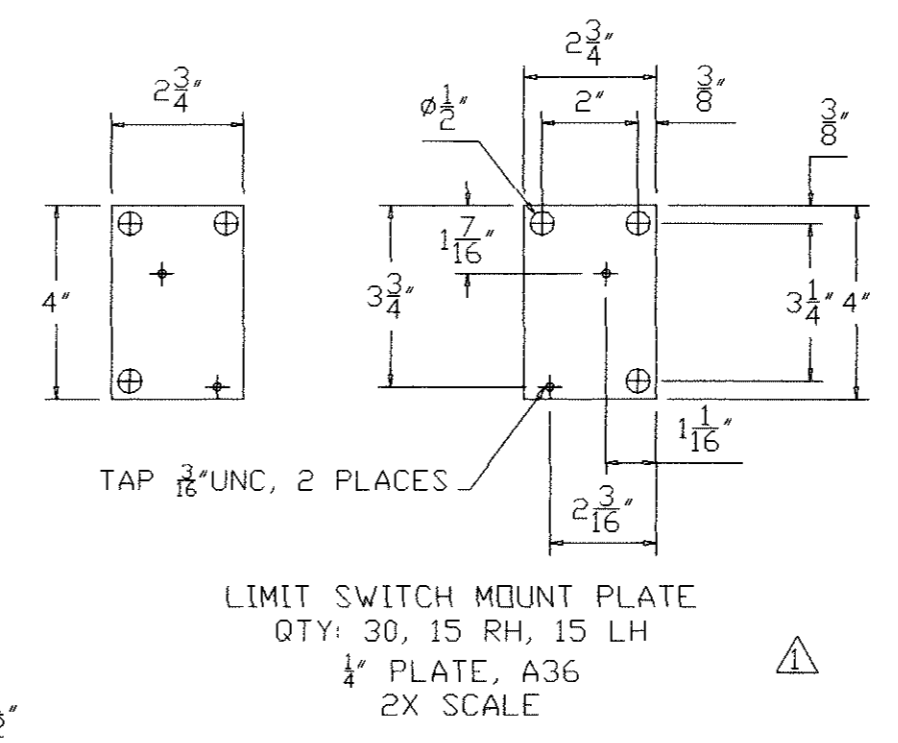
SUPPORT, CONTOUR SLIDE GATE QTY: 15, (RH), 1/4\"/>



CYLINDER ROD MOUNT CONTOUR SLIDE GATE QTY: 15, 1\"/>



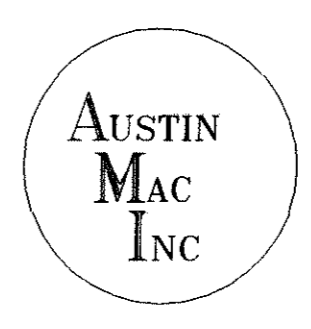
CONTOUR SLIDE GATE QTY: 15, 1/4\"/>



LIMIT SWITCH MOUNT PLATE QTY: 30, 15 RH, 15 LH 1/4\"/>

NOTE:
 ① BREAK ALL SHARP CORNERS AND EDGES
 2. CONVEYOR PRIMED & PAINTED (OUTSIDE)
 CLEAN PAINTED SURFACES TO SSPC-SP3
 PRIME PAINT: RODDA BARRIER 3, 3-4 MIL DFT
 FINISH PAINT: RODDA ALL PURPOSE EQ. ENAMAL 5-6 MILS DFT
 COLOR TO MATCH EXISTING EQUIPMENT

PRODUCT:	WWTP CLASS 2 SLUDGE
TEMPERATURE:	NOMINAL
CAPACITY:	648 CFH
SPEED (RPM):	38 RPM
HORSE POWER:	15 HP
EST. WEIGHT:	5000 LBS/EA
REFERENCES:	
DATE:	1/17/03
SCALE:	1/2\"/>
DRAWING NUMBER:	0966-6



AUSTIN-MAC, INC.
 SEATTLE, WASHINGTON

DRAWN BY:	DFM	CHECKED BY:		APPROVED BY:	
DATE:	1/17/03	SCALE:	1/2\"/>		

DISTRIBUTION CONVEYOR 1&2 (4-C-103&4)
 SLIDE GATE ASSEMBLY & DETAILS
 COMPOST REACTOR BUILDING
 RANCHO LAS VIRGENES COMPOST PLANT
 CUSTOMER: LAS VIRGENES MUNICIPAL W.D.

08944

SAVE AS ORIGINAL

4M-3C APPROVED