

- ① POTABLE WATER METER BOXES (CONCRETE) SHALL BE LOCATED PARALLEL AND ADJACENT TO THE BACK OF CURB.
- ② RECLAIMED WATER METER BOXES (PLASTIC) SHALL BE LOCATED PERPENDICULAR TO:
 - THE BACK OF SIDEWALK, IF SIDEWALK ABUTS THE CURB.
 - THE BACK OF CURB, IF NO SIDEWALK EXISTS.
 - THE FRONT OF SIDEWALK, IF SIDEWALK AND CURB ARE SEPARATED WITH A PLANTING STRIP.
- ③ ALL RECLAIMED WATER LINES SHALL HAVE AFFIXED THERETO AN IDENTIFICATION TAPE AS SPECIFIED IN THE STANDARD SPECIFICATIONS FOR RECLAIMED WATER PIPE LINES AND SERVICE LINES.

LAS VIRGENES MUNICIPAL WATER DISTRICT

PREPARED BY L.V.M.W.D.	RECLAIMED WATER PIPELINE TYPICAL LOCATION PLAN	STD. DWG. NO. R-1 DATE: 2-28-83
---------------------------	---	---------------------------------------

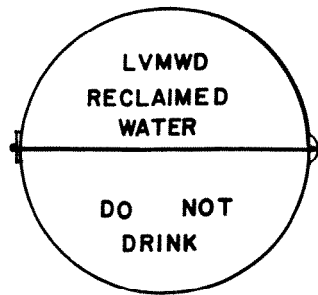


FIGURE ①

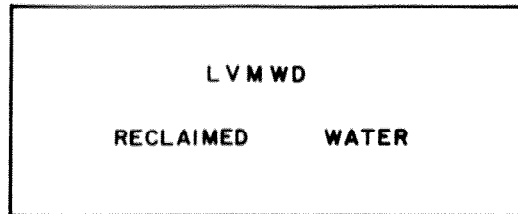


FIGURE ②

PLAN ~ 20 ϕ STEEL COVER

PLAN ~ PLASTIC BOX COVER

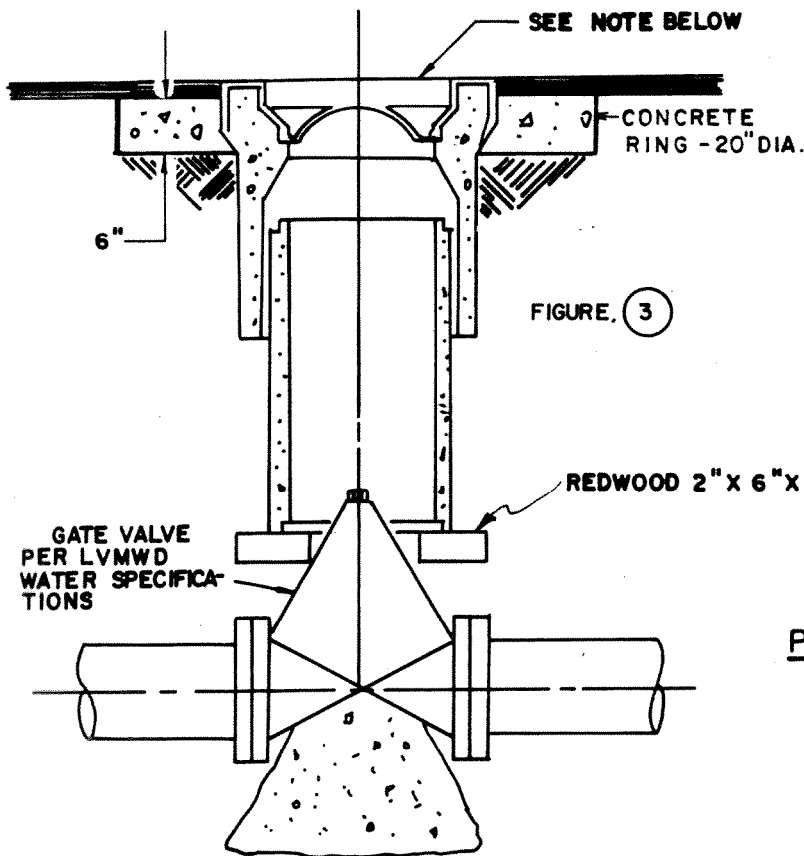
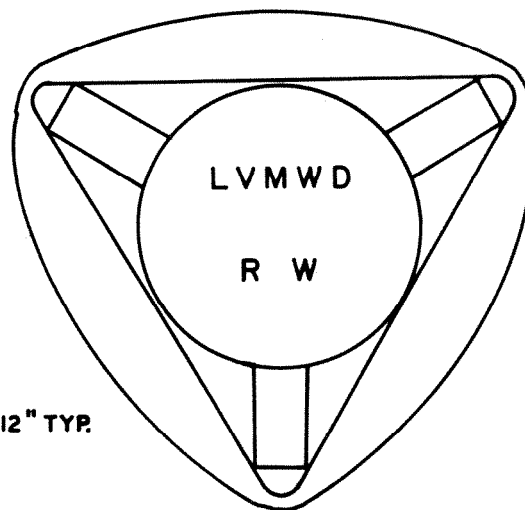


FIGURE ③



PLAN ~ OF VALVE BOX COVER

FIGURE ④

SECTION ~ THRU VALVE BOX

NOTE: WHEN INSTALLING VALVE COVER IN NON-PAVEMENT AREAS, POUR CONCRETE RETAINING COLLAR FLUSH WITH FINISHED GROUND.

NOTE | BROOKS NO. 4-TT SERIES 10 1/4" DIA. TRAFFIC BOX OR APPROVED EQUAL.

LAS VIRGENES MUNICIPAL WATER DISTRICT

PREPARED BY
LVMWD

RECLAIMED WATER COVER IDENTIFICATION
& VALVE BOX DETAIL

STD. DWG. NO.
R-2

DATE: 5-24-82

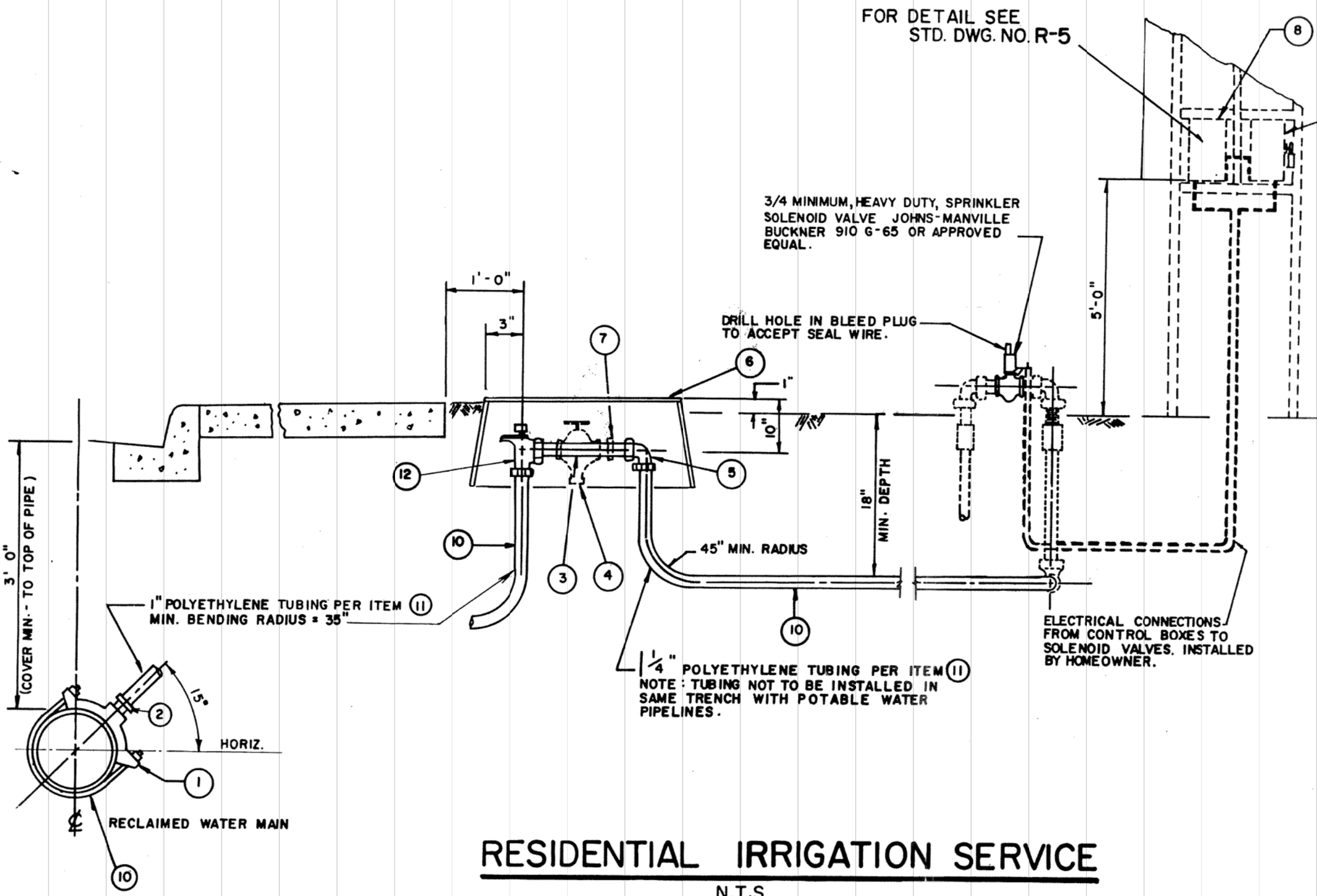
FOR DETAIL SEE
STD. DWG. NO. R-5

PIPING LEGEND

- ① BRONZE SERVICE SADDLE - PER LINE SIZE. IRON PIPE THREAD, JAMES JONES J-979 OR EQUAL.
- ② BRASS COUPLING - MALE IRON PIPE THREAD TO PACKJOINT, FORD C84-44 (1") OR APPROVED EQUAL.
- ③ 1" SCHEDULE 80 PVC JUMPER - 7 1/2" LAYING LENGTH.
- ④ SPECIAL WILKINS 600 SERIES 1" PRESSURE REGULATOR WITH 25 TO 75 STANDARD SPRING RANGE. PER L.V.M.W.D. SPECIFICATIONS REQUIRED IF STATIC PRESSURE EXCEEDS 75 PSI.
- ⑤ ANGLE METER COUPLING WITH 1" METER NUT X 1 1/4" - PACKJOINT - FORD L 34-45 OR EQUAL.
- ⑥ CARSON NO. 1419-12 GREEN PLASTIC IRRIGATION BOX WITH HINGED TOP.
- ⑦ 1" FORD ADAPTOR FOR REGULATORS ON TANDEM RESETTER.
- ⑧ SPRINKLER CONTROL BOX ACCESSIBLE TO PROPERTY OWNER. MOUNT NEXT TO DISTRICT CONTROLLER. SEE STD. R-5.
- ⑨ SPRINKLER CONTROL BOX ACCESSIBLE TO L.V.M.W.D. ONLY. THE TIMERS SHALL BE INSTALLED AND SUPPORTED BETWEEN 2 X 4 STUDS WITHIN THE MAIN HOUSE OR GARAGE STRUCTURE. THE DISTRICT CONTROLLED TIMER SHALL BE ACCESSIBLE FROM THE OUTSIDE OF THE BUILDING. THE CONTROLLER SHALL BE PLACED ON A DEDICATED 120V CIRCUIT AND 5AMP BREAKER AT THE MAIN ELECTRICAL SERVICE. SEE STD. R-5.
- ⑩ ALL RECLAIMED WATER LINES SHALL HAVE AFFIXED THERETO AN IDENTIFICATION TAPE AS SPECIFIED IN THE STANDARD SPECIFICATIONS FOR RECLAIMED WATER PIPELINES AND FITTINGS.
- ⑪ POLYETHYLENE COPPER SIZE TUBING SHALL CONFORM TO AWWA STANDARD C901 FOR POLYETHYLENE (P.E.) PRESSURE TUBING STANDARD CODE DESIGNATION PE 3406 PRESSURE CLASS 160 PSI. MINIMUM USE CLASS 160 POLYETHYLENE TUBING FOR PRESSURE BELOW 160 PSI., AND COPPER TUBING FOR PRESSURE ABOVE 160 PSI.
- ⑫ 1" ANGLE METER STOP WITH LOCKWING FORD KV43-444W, MUELLER H 14267, OR APPROVED EQUAL.

3/4 MINIMUM, HEAVY DUTY, SPRINKLER SOLENOID VALVE JOHNS-MANVILLE BUCKNER 910 G-65 OR APPROVED EQUAL.

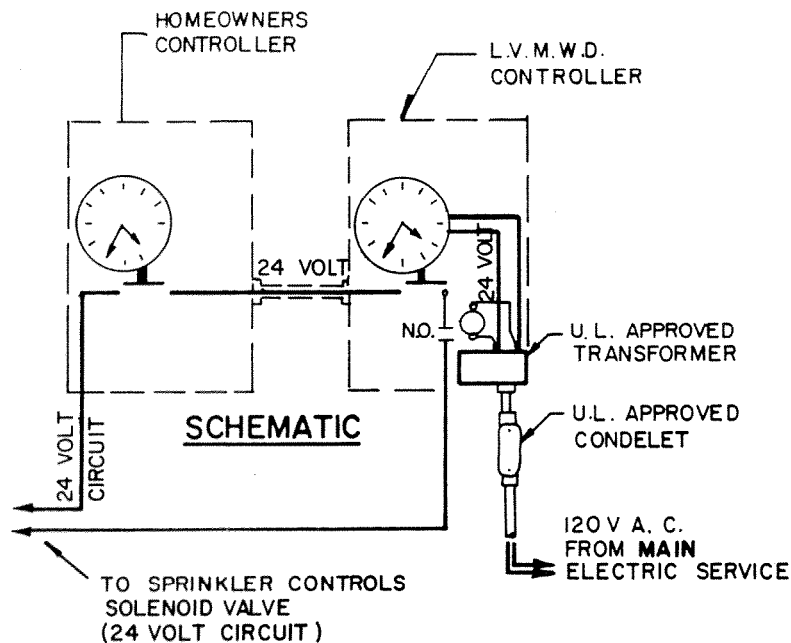
DRILL HOLE IN BLEED PLUG TO ACCEPT SEAL WIRE.



RESIDENTIAL IRRIGATION SERVICE

N.T.S.

LAS VIRGENES MUNICIPAL WATER DISTRICT		
PREPARED BY: L.V.M.W.D.	RECLAIMED WATER RESIDENTIAL IRRIGATION SERVICE	STD. DWG. NO. R-4
DATE: 2-28-83		



* DISTRICT CONTROLLER SHALL BE SUPERIOR CONTROL CO. OR EQUAL .

SPECIFICATIONS

- TIMING MECHANISM:**
- MINIMUM 15 MINUTE TO 24 HOUR TIME SWITCH CONTROLLER, ADJUSTABLE IN 5 MINUTE INCREMENTS.
 - 7 DAY TIME SWITCH WITH THE CAPABILITY OF OMITTING ANY DAY.
 - PROVIDE A 24 V A.C. RELAY TO OPEN THE SOLENOID VALVE CIRCUIT WHEN POWER IS OFF.
 - TIMER SHALL BE OPERATED FROM A 24 VOLT SUPPLY.
 - FOR REPAIRS, TIMER MUST BE REMOVEABLE FROM ENCLOSURE .

SWITCHING MECHANISM: MUST OPEN AND CLOSE THE ENERGIZED CIRCUIT TO THE HOMEOWNERS CONTROLLER.

- MUST NOT PROVIDE VOLTAGE TO THE CIRCUIT IT CONTROLS.

OPERATING INSTRUCTIONS: MUST BE PLACED INSIDE THE ENCLOSURE DOOR OF EACH DISTRICT CONTROLLER.

ENCLOSURE:

- 16 GA. COLD ROLLED STEEL, COMMERCIAL ACID CLEANED.
- COATING - YELLOW ZINC CHROMATE PRIMER, ONE COAT OUTDOOR COMMERCIAL PAINT, ONE TEXTURE COAT, AND OVEN BAKED.

- GASKETED DOOR WITH WEATHER STRIPPING AND CADMIUM PLATED HINGES.
- HINGED DOOR WITH TANG LOCKING DEVICE ATTACHED TO DOOR AND SPECIAL TUMBLER TO ACCEPT L.V.M.W.D. KEY ONLY.
- SINGLE COLOR - DESERT TAN
- NEMA 4 WATERTIGHT AND DUST TIGHT ENCLOSURE

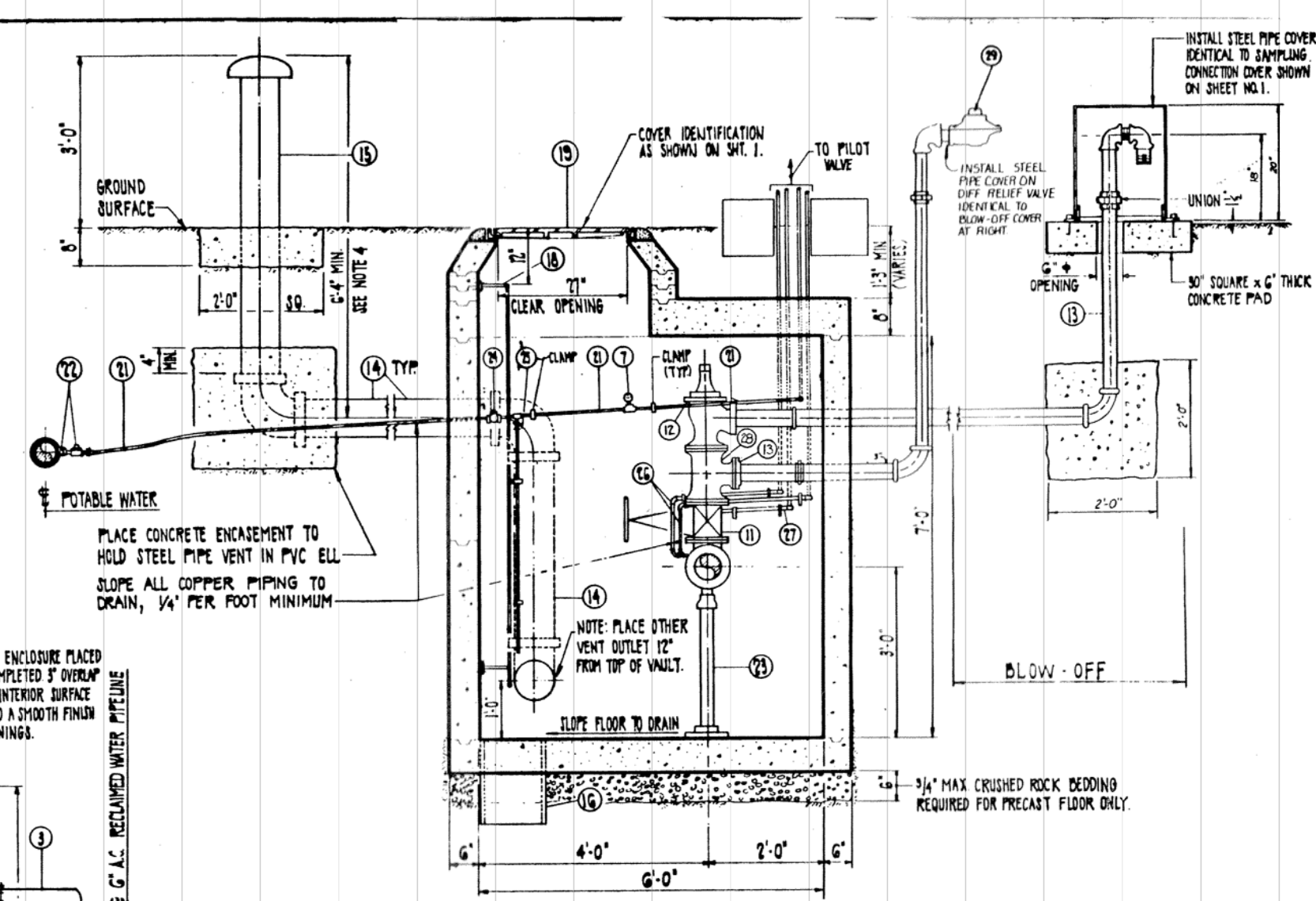
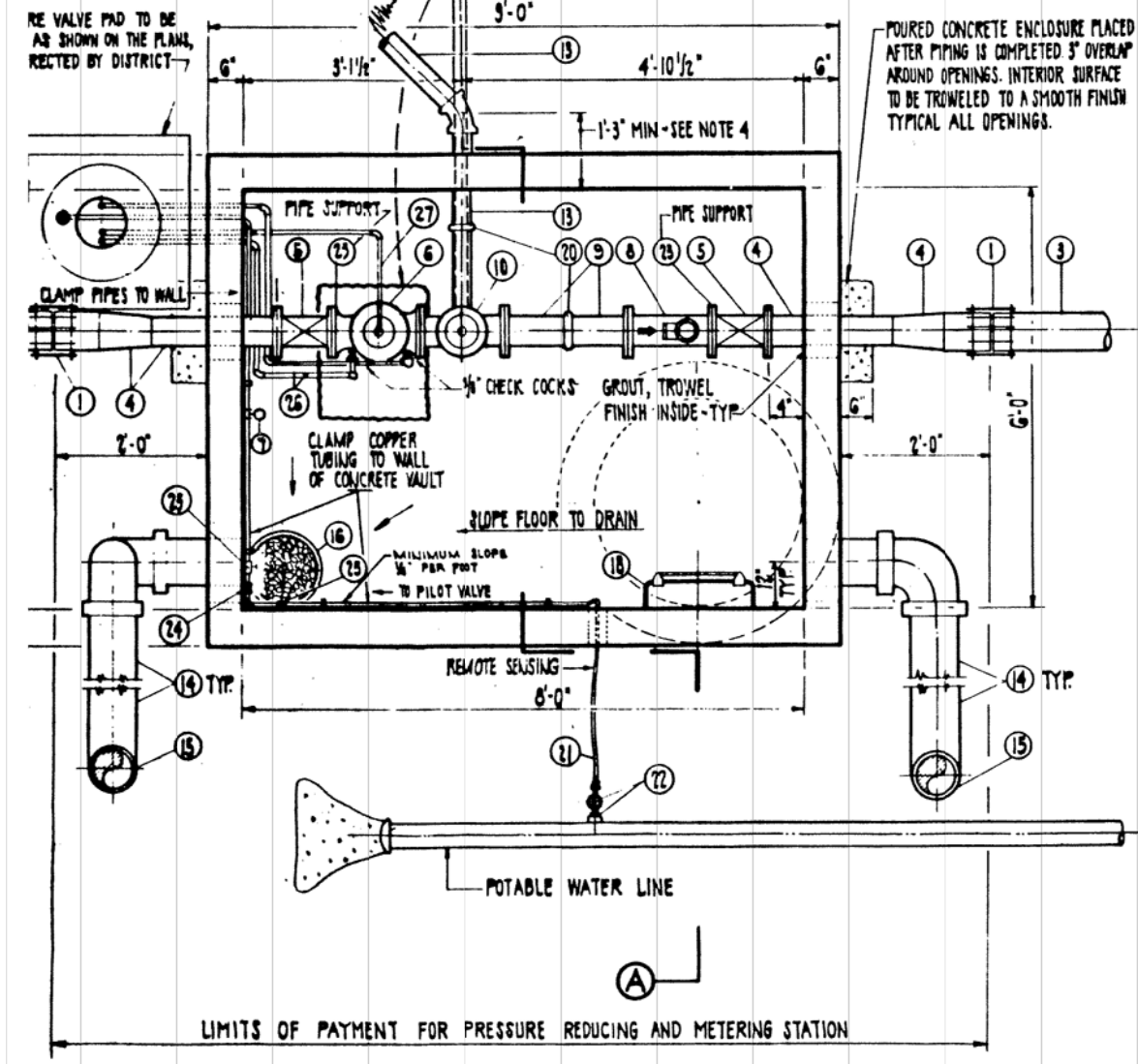
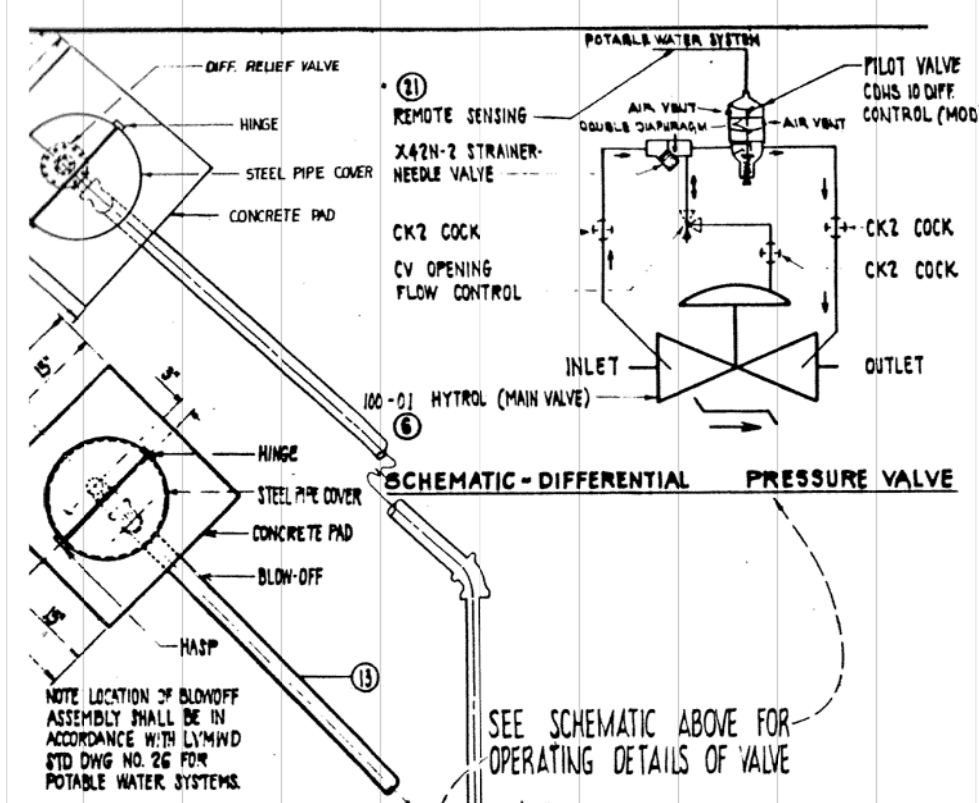
- MOUNT CONTROL BOX AS FOLLOWS :
SPRINKLER CONTROL BOX ACCESSIBLE TO L.V.M.W.D. ONLY. THE TIMERS SHALL BE INSTALLED AND SUPPORTED BETWEEN 2x4 STUDS WITHIN THE MAIN HOUSE OR GARAGE STRUCTURE. THE DISTRICT CONTROLLED TIMER SHALL BE ACCESSIBLE FROM THE OUTSIDE OF THE BUILDING. THE CONTROLLER SHALL BE PLACED ON A DEDICATED 120V CIRCUIT AND 5 AMP BREAKER AT THE MAIN ELECTRICAL SERVICE .

LAS VIRGENES MUNICIPAL WATER DISTRICT

**RECLAIMED WATER SPRINKLER
CONTROL BOX DETAIL**

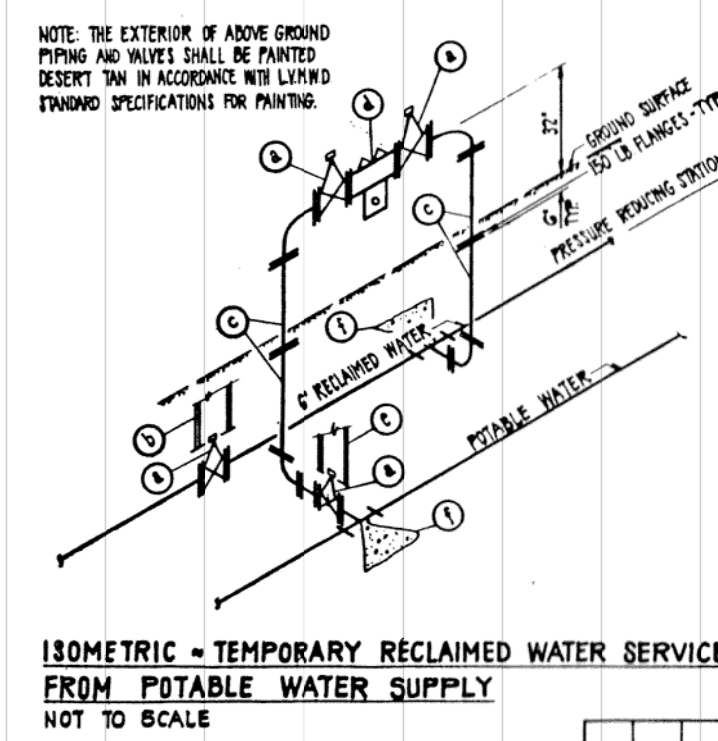
**STD. DWG. NO.
R-5**

DATE : 2-28-83



ELEVATION - SECTION A
SCALE: 3/4" = 1'-0"

- NOTES**
- ALL WORK DONE SHALL BE IN ACCORDANCE WITH THE L.V.M.W.D. STANDARD SPECIFICATIONS AND DRAWINGS FOR CONSTRUCTION OF WATER MAINS AND AS DIRECTED BY DISTRICT'S REPRESENTATIVE.
 - REFER TO PLOT PLANS FOR PIPE AND VAULT ELEVATIONS.
 - VAULT JOINTS SHALL BE SEALED WITH A POLYURETHANE SEALER, QUIKSET BURE-BOND OR APPROVED EQUAL.
 - THIS IS A TYPICAL DIMENSION UNLESS SHOWN OTHERWISE ON THE SITE PLAN OR AS DETERMINED IN THE FIELD BY THE DISTRICT'S REPRESENTATIVE.
 - INTERIOR SURFACE OF THE CONCRETE VAULT SHALL BE PAINTED WHITE EXPOSED METAL PIPING SHALL BE PAINTED DESERT TAN IN ACCORDANCE WITH THE L.V.M.W.D. STANDARD SPECIFICATIONS.
 - PRESSURE REGULATING VALVES SHALL BE STAINLESS STEEL TRIM.
 - PRESSURE RELIEF VALVES SHALL BE STAINLESS STEEL TRIM.
 - THE INTERIOR SURFACE OF THE AUTOMATIC VALVES SHALL BE COATED WITH 100% SOLIDS, CATALYTICALLY SETTING EPOXY WHICH IS MANUFACTURED FOR THE USE IN THE INTERIOR OF POTABLE WATER SYSTEMS, PER THE L.V.M.W.D. STANDARD SPECIFICATION ON GATE VALVE ASSEMBLIES.
 - PRESSURE SPRING RANGE AND SETTING FOR THE AUTOMATIC VALVES SHALL BE DETERMINED BY THE DISTRICT'S REPRESENTATIVE.
 - HOLES IN VAULT WALLS SHALL BE:
8" DIAMETER FOR 4" PIPE
12" DIAMETER FOR 6" PIPE
14" DIAMETER FOR 8" PIPE
 - LOCATE EXHAUST VENTS PER L.V.M.W.D. STANDARD DRAWING NO. 88.



- ISOMETRIC PIPING LEGEND**
- (A) FLANGED GATE VALVE PER L.V.M.W.D. STANDARD SPECIFICATIONS. SIZE AS REQ'D.
 - (B) VALVE BOX AND COVER PER DETAIL ON SHEET NO. 1.
 - (C) 4" + FLANGED DUCTILE IRON PIPE, CLASS 50, WITH FLANGED 150 LB. CAST IRON FITTINGS, IN ACCORDANCE WITH THE L.V.M.W.D. STANDARD SPECIFICATIONS.
 - (D) 4" + FLANGED REDUCED PRESSURE BACKFLOW PREVENTER - HERSEY PRODUCTS 6 CM OR EQUAL. INTERIOR COATING SHALL BE DONE IN ACCORDANCE WITH L.V.M.W.D. STANDARD SPECIFICATION FOR GATE VALVES.
 - (E) VALVE BOX & COVER PER L.V.M.W.D. STD DWG. NO. 11 FOR POTABLE WATER.
 - (F) THRUST BLOCK PER L.V.M.W.D. STD DWG. NO. 13.

- PIPING IDENTIFICATION**
- 6" CAST TRANSITION COUPLING - ROCKWELL FIG. 433. COAT & WRAP PER L.V.M.W.D. STD SPECIFICATIONS.
 - 6" RING TITE A.C. WATER PIPE - CL200.
 - 6" STEEL - 12 GA. WATER PIPE.
 - 6" x 4" SCH. 40 STEEL SPOOL - PE x 150 LB. FLANGE. CEMENT MORTAR LINED AND COATED.
 - 4" CLASS 200 FLANGED GATE VALVE WITH HAND WHEEL PER L.V.M.W.D. STD SPECIFICATIONS.
 - 4" DIFFERENTIAL PRESSURE VALVE - CLAVAL 250G01 HEKX. SS TRIM, SS SLEEVE, CLASS 200, WITH 150 LB FLANGES.
 - 3/4" PRESSURE GAUGE - MARSH TYPE 1, CP PATTERN.
 - 1/4" MALE BOTTOM, 300 PSI, EQUIPPED WITH A CALIBRATOR.
 - 4" WATER METER-ROCKWELL SERIES W TURBO METER MODEL W-100DR WITH READOUT IN CUBIC FEET.
 - 4" SCH. 40 STEEL SPOOL - VICTAULIC GROOVE x 150 LB FLANGE EPOXY LINED, EXTERIOR PAINTED.
 - 4" 150 LB FLANGE x 4" 150 LB FLANGE x 3" 150 LB FLANGED STEEL TEE EPOXY LINED, EXTERIOR PAINTED.
 - 3" CLASS 200 FLANGED GATE VALVE WITH HAND WHEEL PER L.V.M.W.D. STD SPECIFICATIONS.
 - 3" FLANGED PRESSURE RELIEF VALVE - CLAVAL 50A-01-KG, DELRIN SLEEVE, S.S. STEM, CL 200 WITH 150 LB FLANGES.
 - 3" STEEL THREADED PIPE AND FITTINGS. PAINT INSIDE OF VAULT AND COAT WITH BITUMASTIC 505 OUTSIDE OF VAULT.
 - 8" SCH. 80 PVC PIPE AND FITTINGS WITH WATER TIGHT JOINTS. CONSTRUCT TO MEET FIELD CONDITIONS.
 - 8" GALVANIZED STEEL PIPE VENT WITH MUSHROOM TYPE HOOD - ALHAMBRA A-2165 OR EQUAL.
 - 12" x 18" LONG CONCRETE PIPE SUMP - FILL WITH CRUSHED ROCK.
 - PRECAST CONCRETE UTILITY VAULT - QUIKSET NO. TV 454 OR APPROVED EQUAL.
 - GALVANIZED VAULT LADDER - ALHAMBRA A-3380 WITH GALV. SUPPORT - ALHAMBRA NO. 3383R.
 - MANHOLE FRAME AND COVER - ALHAMBRA A-1105, WITH CAP SCREWS, ADJUSTABLE ANCHOR AND NEOPRENE RING SEAL COVER IDENTIFICATION AS SHOWN ON SHT. 1.
 - VICTAULIC COUPLING - STYLE 77, PER LINE SIZE.
 - 1/2" TYPE "K" SOFT COPPER TUBING WITH BRASS FITTINGS.
 - CONNECTION TO POTABLE WATER MAIN PER L.V.M.W.D. STD DWGS 5 & 6. MODIFY TO ACCEPT 1/2" CORP STOP, J. JONES 1505 OR MUELLER H15025.
 - ADJUSTABLE PIPE SUPPORT - GRINNEL NO. 264.
 - 1/2" BRONZE BALL VALVE - CRANE 930 T.F.
 - 1/2" BRONZE HOSE VALVE - CRANE NO. 58 ATTACH 5" O" RUBBER HOSE - CLAMP TO WALL.
 - 1" TYPE "K" SOFT COPPER TUBING WITH BRASS FITTINGS, NON-POTABLE PRV ACTUATING FLOW.
 - 1" TYPE "K" SOFT COPPER TUBING WITH BRASS FITTINGS, NON-POTABLE, PRESSURE REDUCED.
 - 3" x 3" x 3" FLG. C.1. TEE, CLASS 150 EPOXY LINED, EXTERIOR PAINTED.
 - CLA-VAL DIFFERENTIAL PRESSURE RELIEF VALVE. DISCHARGE CDHS-20.

PLAN - VAULT AND PIPING
SCALE: 3/4" = 1'-0"

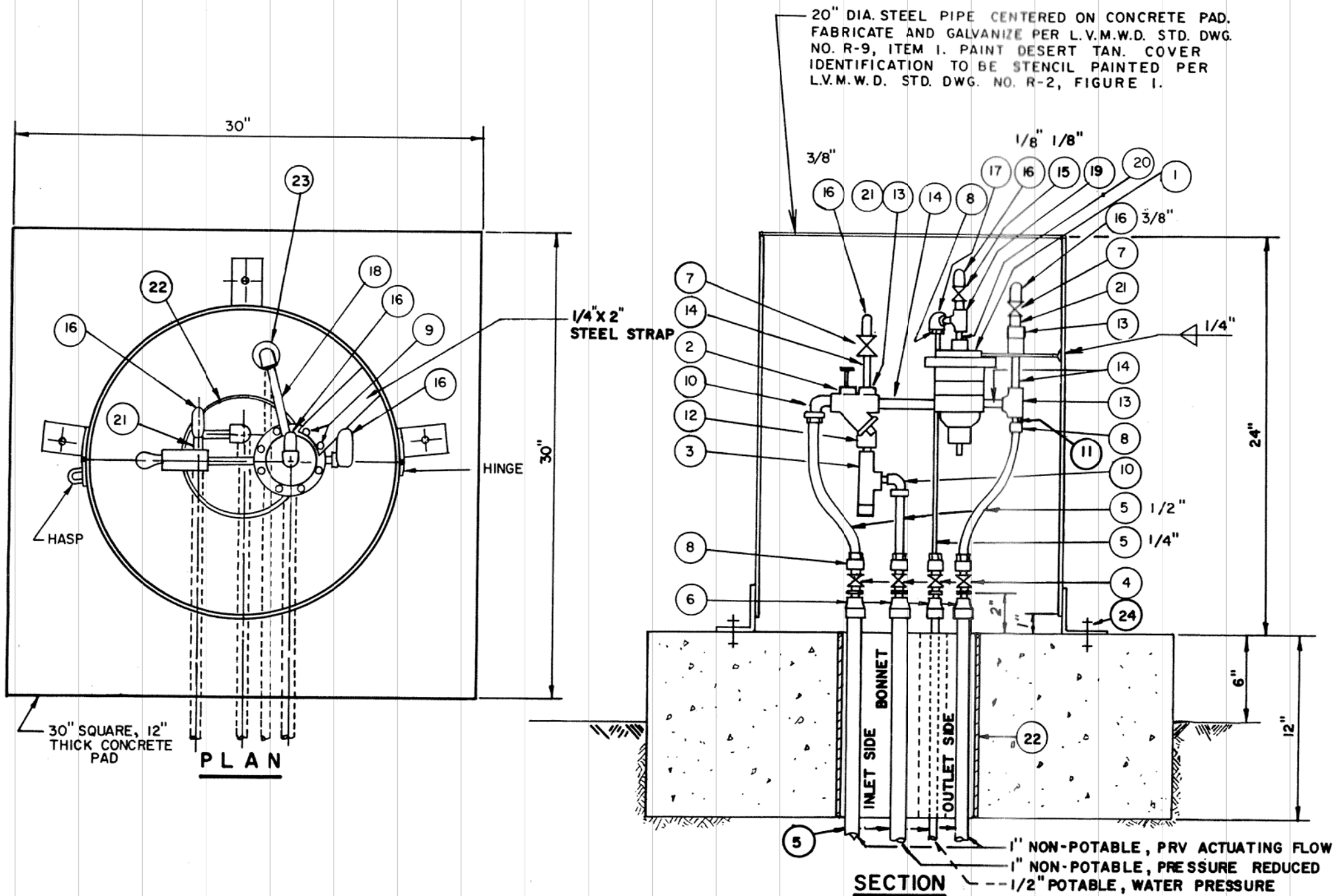
LAS VIRGENES MUNICIPAL WATER DISTRICT

COMBINATION PRESSURE REDUCING AND METERING VAULT FOR RECLAIMED WATER

Scale Engineering Corporation
CONSULTING ENGINEERS / ARCHITECTS
VENTURA, CA.

REV. DATE DESCRIPTION

R-7



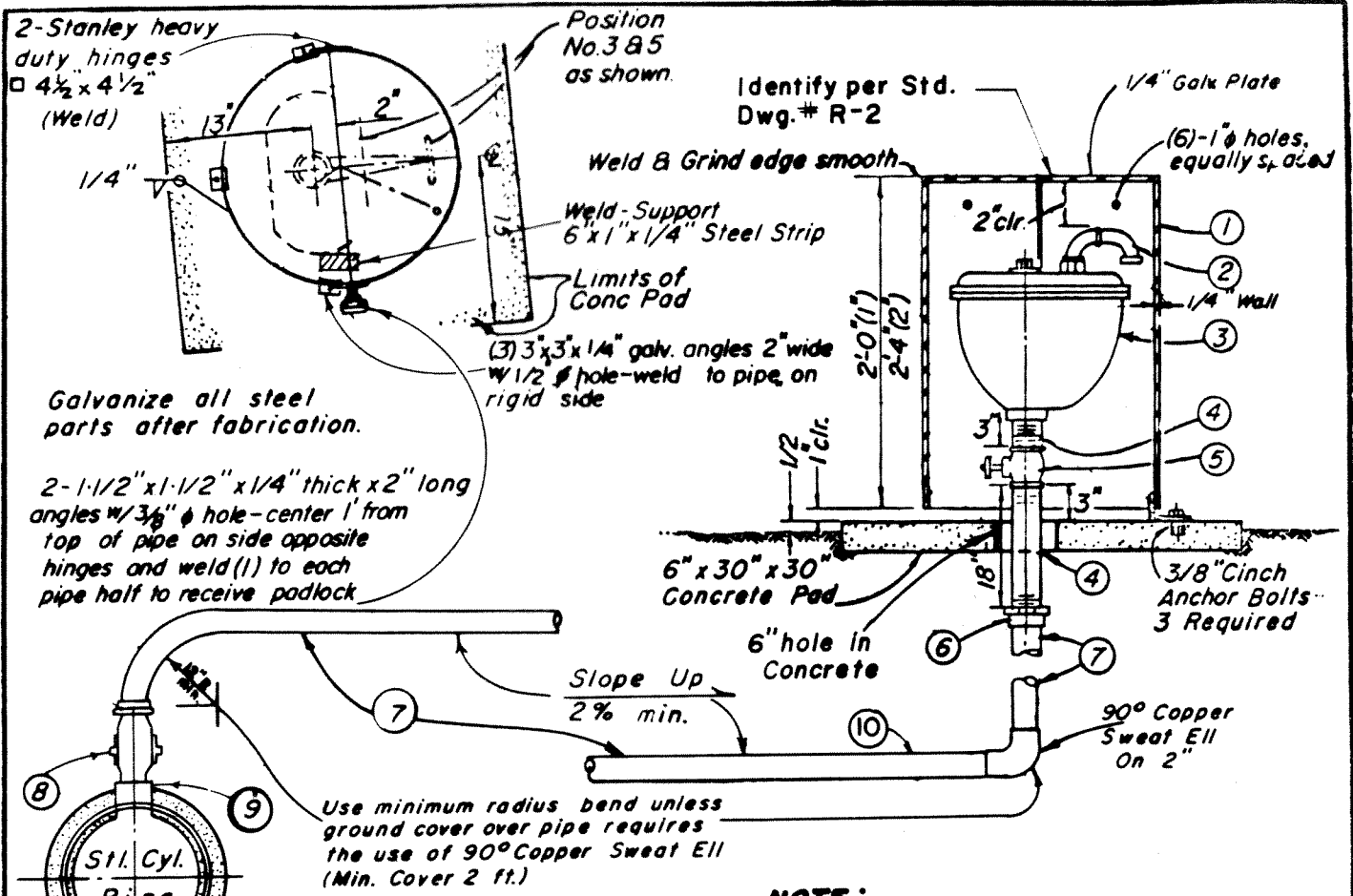
PIPING LEGEND

- ① CLAYTON CDHS10 DIFFERENTIAL CONTROL (MOD) - PROVIDED BY CLAYTON.
- ② CLAYTON X 42N-2 STRAINER & NEEDLE VALVE - PROVIDED BY CLAYTON.
- ③ CLAYTON CV FLOW CONTROL OPENING - PROVIDED BY CLAYTON.
- ④ CLAYTON SERIES CK SHUTOFF COCK.
- ⑤ COPPER PIPE - TYPE L.
- ⑥ NIBCO 701 COUPLING REDUCER WITH 704-2 MALE ADAPTER.
- ⑦ STOP VALVE - NIBCO 525-3.
- ⑧ UNION - NIBCO 733-4.
- ⑨ 10-32 x 1" SCREW - 2 EACH.
- ⑩ 90° UNION ELBOW - NIBCO 707-4-6.
- ⑪ FITTING, FLARE x NPT - PROVIDED BY CLAYTON.
- ⑫ 3/8" BRONZE PIPE COUPLING AND CLOSE NIPPLE.
- ⑬ 3/8" BRONZE PIPE TEE.
- ⑭ 3/8" BRONZE PIPE.
- ⑮ CRANE NO. 266 BRONZE COCK - P.L.S.
- ⑯ RETURN BEND - NIBCO 638
- ⑰ 90° UNION ELBOW.
- ⑱ 1/8" x 6" BRONZE PIPE.
- ⑲ 1/8" BRONZE PIPE TEE.
- ⑳ 1/8" 1" BRONZE PIPE NIPPLE.
- ㉑ 3/8" BRONZE PIPE NIPPLE.
- ㉒ 8" PVC SLEEVE
- ㉓ 1-1/2" PVC SLEEVE
- ㉔ 3/8" φ CINCH ANCHOR BOLTS 3- req'd.

REMOTE DIFFERENTIAL PRESSURE PILOT VALVE DETAIL

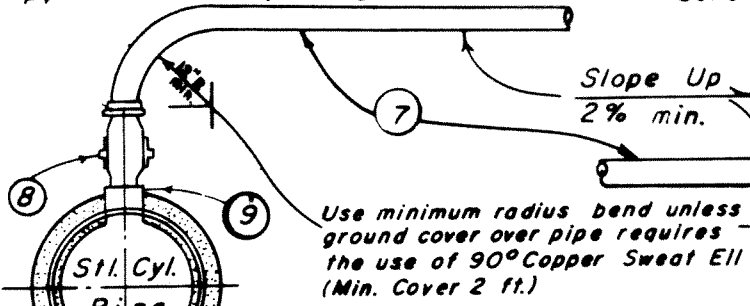
N.T.S.

LAS VIRGENES MUNICIPAL WATER DISTRICT		
PREPARED BY L.V.M.W.D.	REMOTE DIFFERENTIAL PRESSURE PILOT VALVE DETAIL	STD. DWG. NO. R-8
		DATE : 2-28-83



Galvanize all steel parts after fabrication.

2-1-1/2" x 1-1/2" x 1/4" thick x 2" long angles w/ 3/8" hole - center 1" from top of pipe on side opposite hinges and weld (1) to each pipe half to receive padlock



Assem. Size	Steel Coupling Size	Insulating Bushing Size
2"	2-1/2"	2" x 2-1/2"
1"	1-1/4"	1" x 1-1/4"

NOTE:

1. Locate per Std. Dwg. No. 26
2. Assemblies installed at easements, roads and streets without curbs shall be protected w/ guard posts (2). Post consists of 6' length of 4" std. wt. pipe filled w/ grout and set 3' below grade in 16" O.D. conc. base. Position posts 2' in front of and 2.5' ea. side of assemblies. Crown conc. base at the top to shed water.
3. Item 1 to be painted Desert Tan (Koppers #111.)

UP TO 300 LBS. PRESSURE

ITEM	NO.	DESCRIPTION	REMARKS
1	1	20" Diameter Steel Pipe	Galvanize and Paint per Specs
2	2	90° Street Ells	Galvanized - Screened Opening
3	1	Combination Air Release & Air Vacuum Valve	Apco Heavy Duty or Approved Equal
4	2	Brass Nipples	I. P. Threaded
5	1	Bronze Gate Valve	Per Standard Specs.
6	1	Female Adapter	Copper
7	-	Copper Tubing	Type 'K' - Soft
8	1	Corporation Stop	Mueller No. 10012, Jones J-1505, or J-1529
9	1	Coupling w/ insulating bushing	See Dielectric Con. Std. Dwg. No. 5
10		ALL RECLAIMED WATER LINES SHALL HAVE AFFIXED THERETO AN IDENTIFICATION TAPE AS SPECIFIED IN THE STANDARD SPECIFICATIONS FOR RECLAIMED WATER LINES AND FITTINGS.	

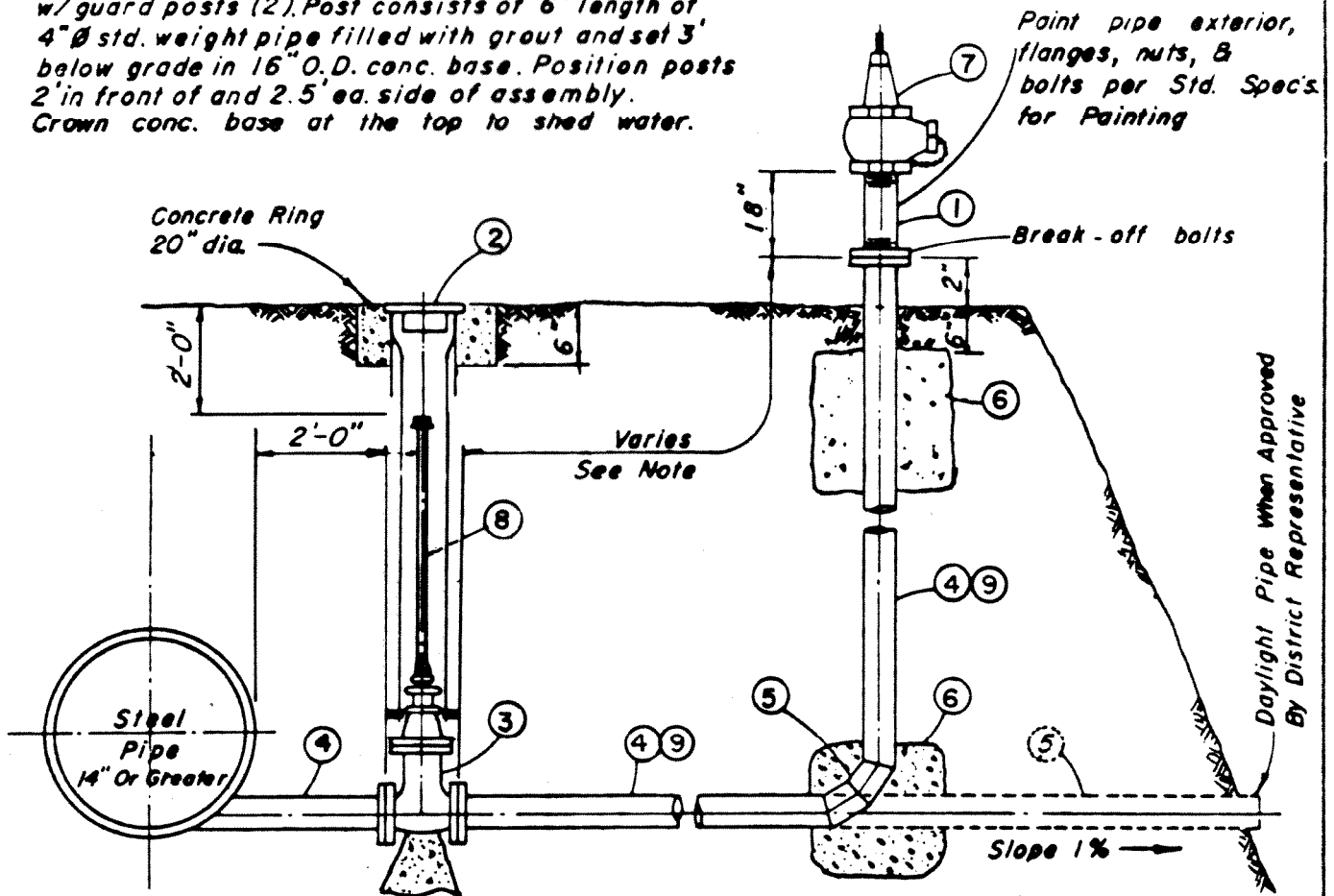
LAS VIRGENES MUNICIPAL WATER DISTRICT

PREPARED BY
BOYLE
ENGINEERING
Ventura Division

**1" or 2" AIR VACUUM
VALVE ASSEMBLY**

STD. DWG. NO.
R-9
DATE: 2-28-83

NOTE: Assemblies installed at easements, roads and streets without curbs, shall be protected w/ guard posts (2). Post consists of 6' length of 4" ϕ std. weight pipe filled with grout and set 3' below grade in 16" O.D. conc. base. Position posts 2' in front of and 2.5' ea. side of assembly. Crown conc. base at the top to shed water.



Outlet from steel main to be in accord with std. specifications for steel water pipe

NOTE: Locate per Std. Dwg. No. 26
 NOTE: When operating nut on G.V. is 4' to 6' deep provide operating nut extension as shown when operating nut is greater than 6' provide 4' dia. manhole. (Per Std. Dwg. No. 4)

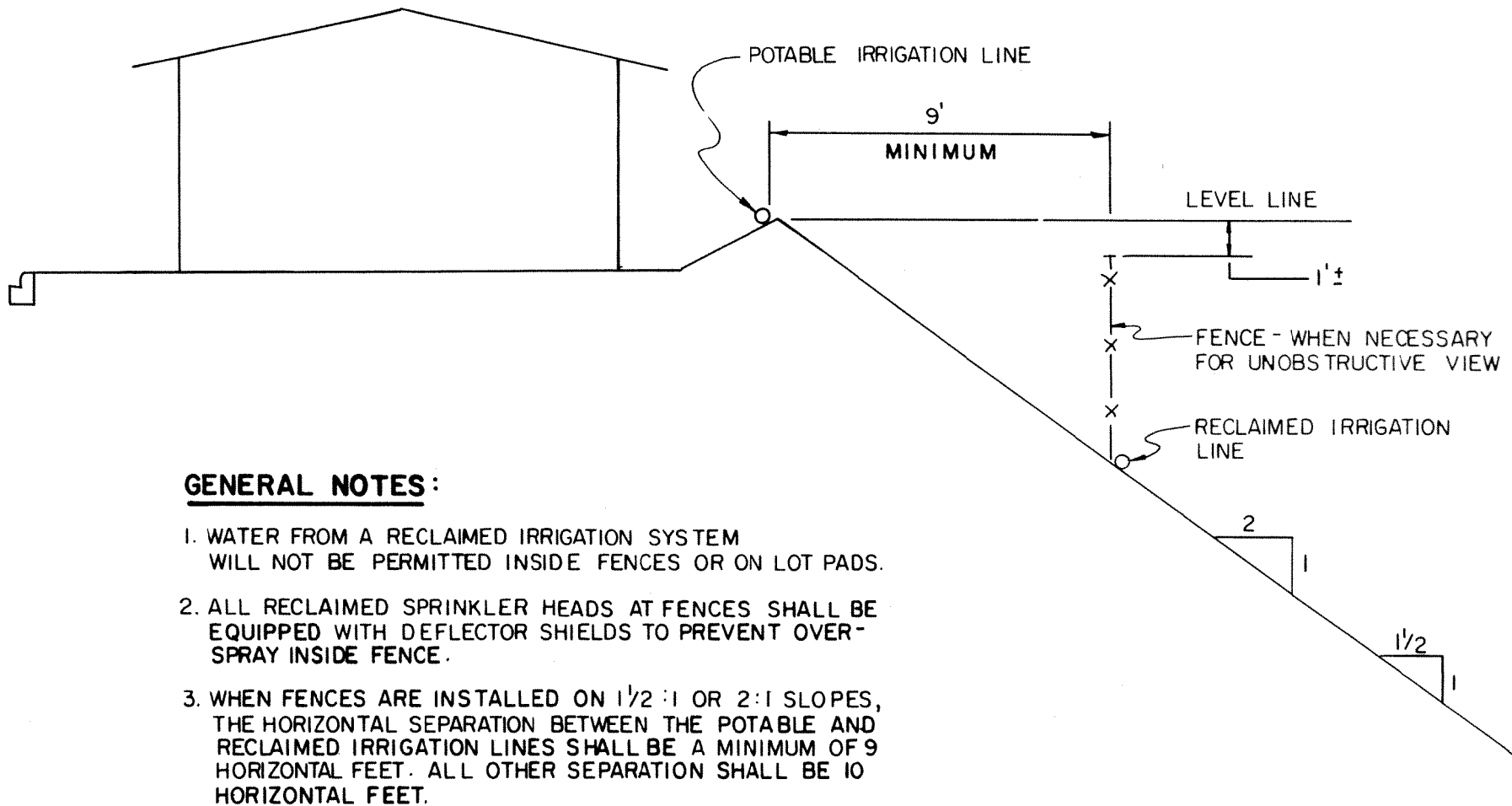
ITEM	NO.	DESCRIPTION	REMARKS
1	1	4" Schedule 40 mortar lined Nipple to be painted Desert Tan (Kopper III.) also stencil RECLAIMED WATER - DO NOT DRINK.	mortar lined
2	1	Cast Iron Valve Box Cover	See Std. Dwg. No. R-2 & R-12
3	1	4" Flanged Valve - G.V. or Plug Valve	See Standard Specs for Valves
4		4 1/2" O.D. x 10 Ga. Steel Pipe	cm/cl
5	1	Short Radius 90° Bend	cm/cl
6	2	Concrete Anchor Block	Vertical Pipe Only
7	1	4" x 2 1/2" Angle Valve	Jones J-344 HP
8		Operating nut extension stem	Mueller Fig. 2 Extension stem or Approved Equal.
9		ALL RECLAIMED WATER LINE SHALL HAVE AFFIXED THERETO AN IDENTIFICATION TAPE AS SPECIFIED IN THE STANDARD SPECIFICATIONS FOR RECLAIMED WATER LINES AND FITTINGS.	

LAS VIRGENES MUNICIPAL WATER DISTRICT

PREPARED BY
 BOYLE
 ENGINEERING
 Ventura Division

4" BLOW-OFF ASSEMBLY
 CL. 200 or 400

STD. DWG. NO.
 R-10
 DATE: 5-24-82



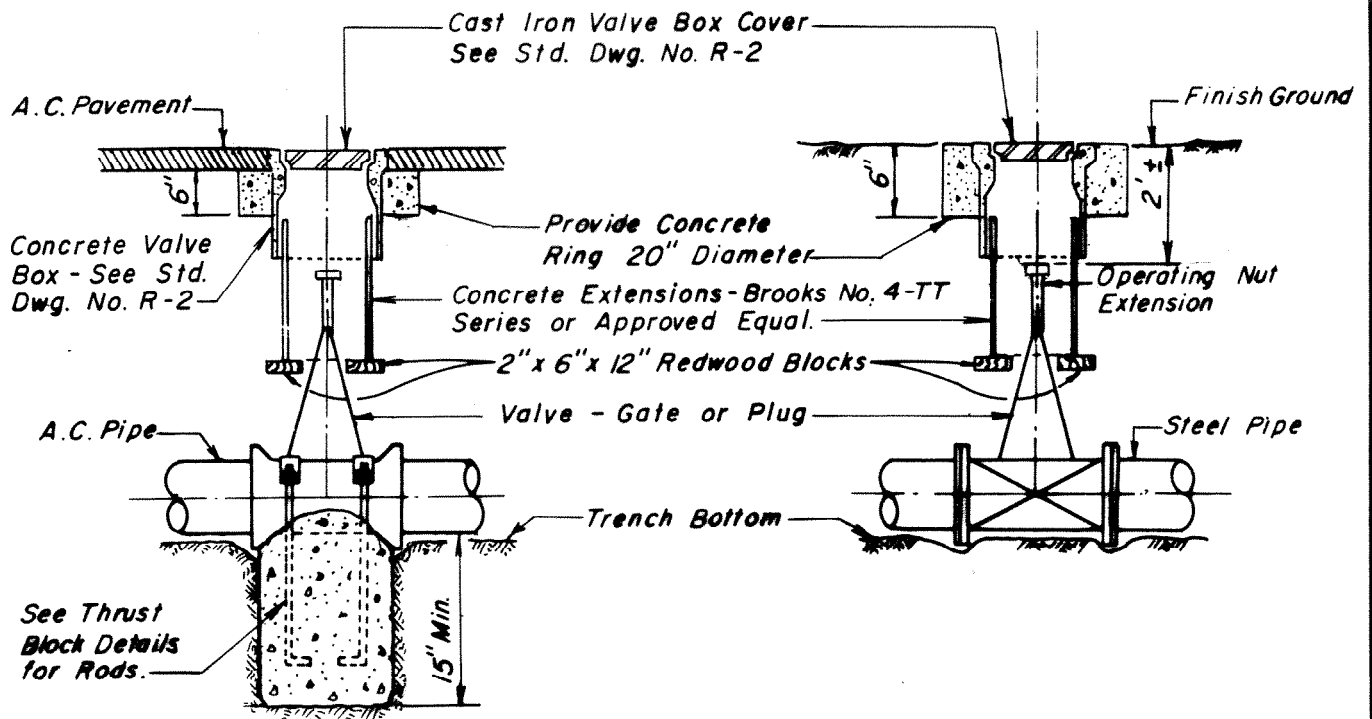
LAS VIRGENES MUNICIPAL WATER DISTRICT

PREPARED BY
L.V.M.W.D.

RECLAIMED WATER- POTABLE
WATER SEPARATION LAYOUT

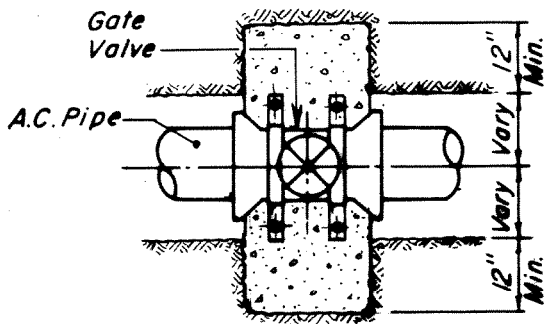
STD. DWG.
R-11

DATE: 2-28-83



ELEVATION

ELEVATION



PLAN

NOTES

1. All thrust blocks shall rest against undisturbed earth. See Standard Drawing Number 13.
2. When valve is located deeper than 6 feet to top of pipe from finish grade locate in manhole per Standard Drawing Number 31.
3. Butterfly valves require special design for thrust blocks and connections to A.C. pipelines.
4. Valve box cover shall be painted Desert Tan, Koppers Number III.
5. Valves shall be coated with bitumastic and wrapped with polyethylene film per the Standard Specifications for the type of valve used.
6. When operating nut on gate valve is 4 feet to 6 feet deep provide operating nut extension per Standard Drawing Number R-10.
7. Concrete shall not interfere with joints between valve and pipe. Concrete shall not cover flanges, bolts, nuts, etc.

LAS VIRGENES MUNICIPAL WATER DISTRICT

PREPARED BY
BOYLE
ENGINEERING
Ventura Division

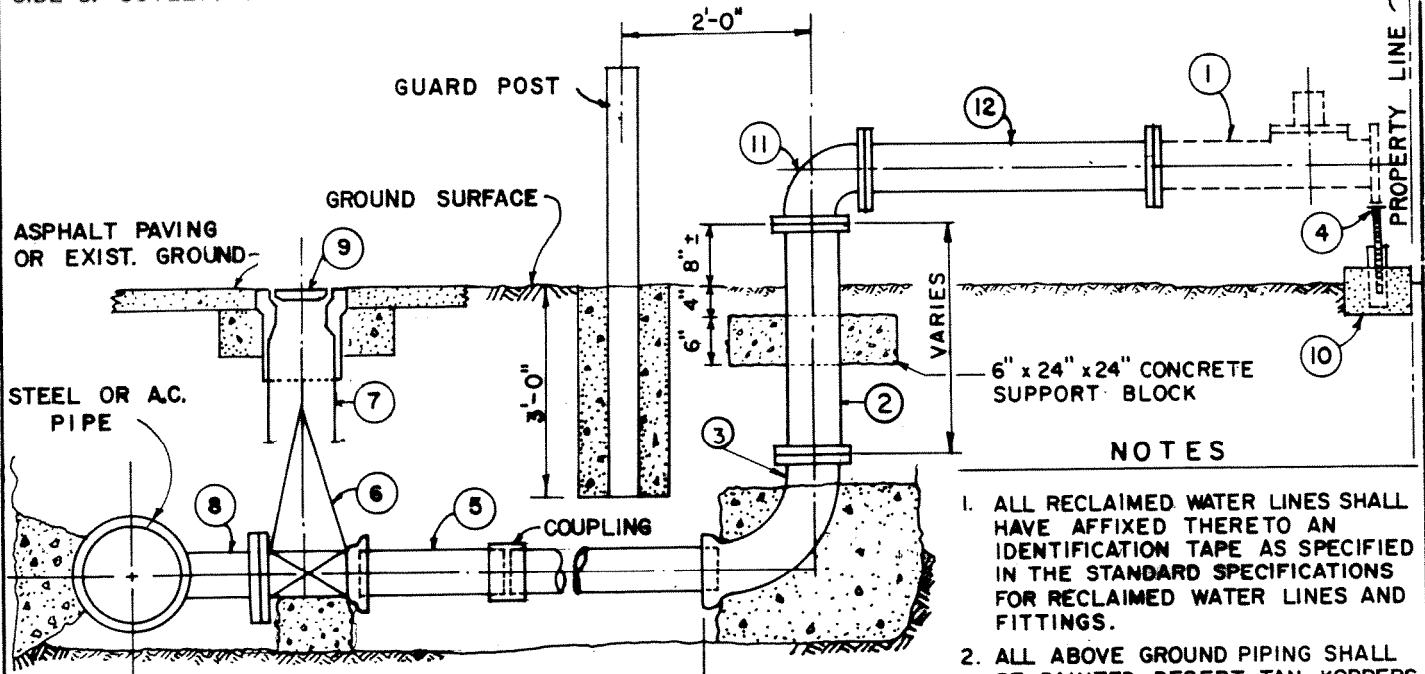
**VALVE ASSEMBLY
DETAILS**

STD. DWG. NO.
R-12

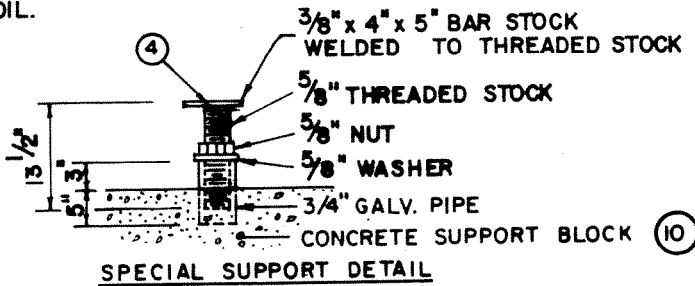
DATE: 2-28-83

NOTE: SERVICE OUTLETS SHALL BE PROTECTED WITH TWO GUARD POSTS CONSISTING OF 6' LENGTHS OF 4" STD. WT. PIPE FILLED WITH GROUT AND SET 3' BELOW GRADE IN 16" O.D. CONC. BASE. POSITION POSTS 2' IN FRONT OF AND 2.5' EACH SIDE OF OUTLET. CROWN CONC. BASE AT TOP TO SHED WATER.

NOTE: ITEM NO. 1 SHALL BE FURNISHED AND INSTALLED BY LAS VIRGENES M.W.D.



BEARING AREA TO BE ADEQUATE FOR PRESSURE AND SOIL.



NOTES

1. ALL RECLAIMED WATER LINES SHALL HAVE AFFIXED THERETO AN IDENTIFICATION TAPE AS SPECIFIED IN THE STANDARD SPECIFICATIONS FOR RECLAIMED WATER LINES AND FITTINGS.
2. ALL ABOVE GROUND PIPING SHALL BE PAINTED DESERT TAN, KOPPERS NO. III. ALSO STENCILED "RECLAIMED WATER DO NOT DRINK".
3. WHEN OPERATING NUT ON GATE VALVE IS 4 FEET TO 6 FEET DEEP PROVIDE OPERATING NUT EXTENSION PER STANDARD DRAWING NO. R-10.

CLASS 200 INSTALLATION

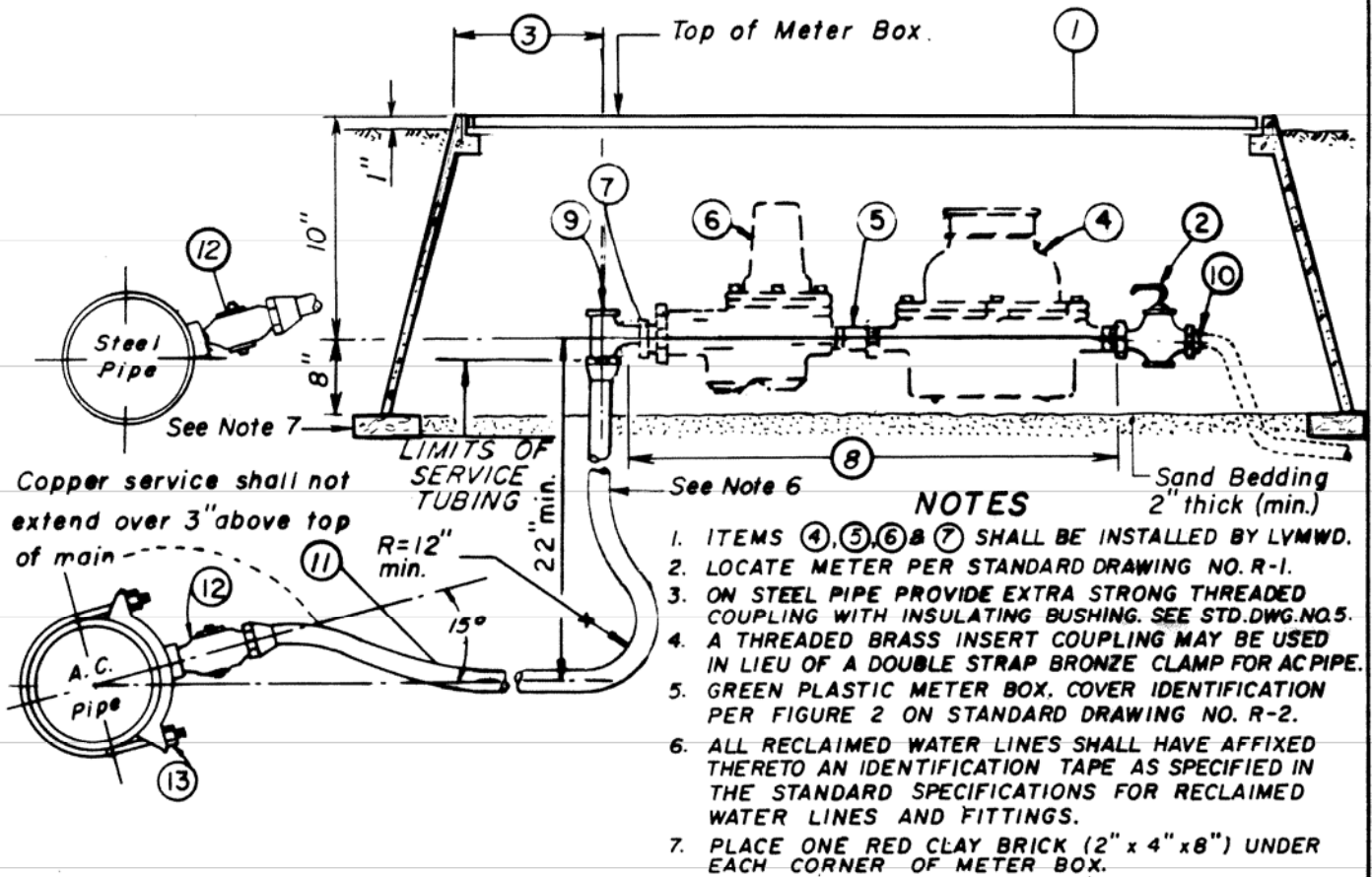
ITEM	NO.	DESCRIPTION	REMARKS
1	1	4" OR 6" SPARKING FLANGED TUBE METER	(HIGH VELOCITY DESIGN)
2	1	FLANGED STEEL SPOOL 12 GA.	LENGTH AS REQUIRED - CML & CMC
3	1	FLANGED OR FLG. x R.T. CAST IRON ELBOW	MORTAR LINED
4		SPECIAL SUPPORT	SEE DETAIL THIS SHEET
5	-	ASBESTOS CEMENT PIPE (3'-3" MIN. PER PIECE)	CLASS 200 - MOA NOT ACCEPTABLE
6	1	GATE VALVE - FLANGE x RING TITE	MUELLER A2380-26 OR TAPPING VALVE H642
7	1	CONCRETE EXTENSIONS	SEE STD. DWG. R-2 & R-12
8	1	FLG. OUTLET	CML & CMC
9	1	CAST IRON VALVE BOX COVER	SEE STD. DWG. R-2
10	1	CONC. SUPPORT BLOCK 12" x 12" x 6"	
11	1	FLANGED CAST IRON ELBOW	8 HOLE PATTERN - MORTAR LINED
12	1	FLANGED STEEL SPOOL 12' GA.	3' MINIMUM LENGTH - CML & CMC

LAS VIRGENES MUNICIPAL WATER DISTRICT

RECLAIMED WATER SERVICE ASSEMBLY
FOR 4 INCH TO 6 INCH ASSEMBLIES

STD. DWG. NO.
R - 13
DATE: 2-28-83

WORKING PRESSURE 151 TO 250 P.S.I.



ITEM	QTY	DESCRIPTION	3/4" METER SERVICE	1" METER SERVICE
1	1	Plastic Meter Box	Carson No.1730-12L-See Note 5	Carson No.1730-12L-See Note 5
2	1	Ball Valve with Lever Handle 1-1/4 Swivel Nut with Iron Pipe Thread. Tapped End	Mueller H-14345 or Jones No. 1908 or Ford B13-454/HH34	Mueller H-14345 or Jones No. 1908 or Ford B13-454/HH34
3	-	Box Edge to Angle Meter Stop Distance	4"	2"
4	1	Meter	3/4" x 1" District Meter	1" District Meter
5	1	Meter Coupling	Mueller H 10890	not required
6	1	Pressure Regulating Valve with 1-1/4" male inlet	Wilkins 1" Regulator (L.V. Special)	Wilkins 1-1/4" Regulator (L.V. Special)
7	1	1" Ford Adapter for Regulators on Tandem Resetters and Bushing	Not Required	1" Meter Thrd. x 1-1/4" M.I.P.
8	1	Iron Pipe Spacer	1-1/4" x 17"	1-1/4" x 21-3/4"
9	1	Angle Meter Stop with Swivel Nut	Mueller H14255, Jones J1525 or Ford KVC-3W	Mueller H14255, Jones J1525 or Ford KVC-3W
10	1	Nylon Bushing	1" x 1-1/4"	1" x 1-1/4"
11	1	Copper Service Tubing	1" Type K (soft)	1" Type K (soft)
12	1	Corporation Stop	Mueller H 15025 or Jones J 1505	Mueller H 15025 or Jones J 1505
13	1	Bronze Service Clamp, Double Strap w/I.P. thread	Rockwell No. 323 or Jones J 979 A.C.P. only	Rockwell No. 323 or Jones J 979 A.C.P. only

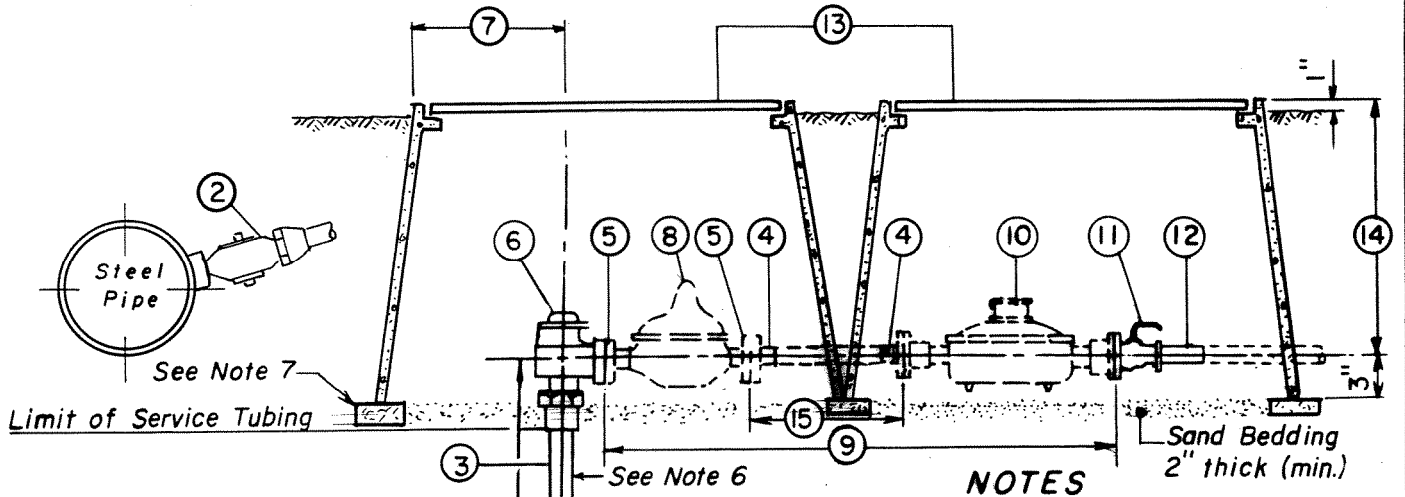
LAS VIRGENES MUNICIPAL WATER DISTRICT

PREPARED BY
BOYLE
ENGINEERING

**3/4" & 1" WATER
SERVICE ASSEMBLIES**

STD. DWG. NO.
R-14
DATE: 2-28-83

WORKING PRESSURE 151 TO 250 P.S.I.

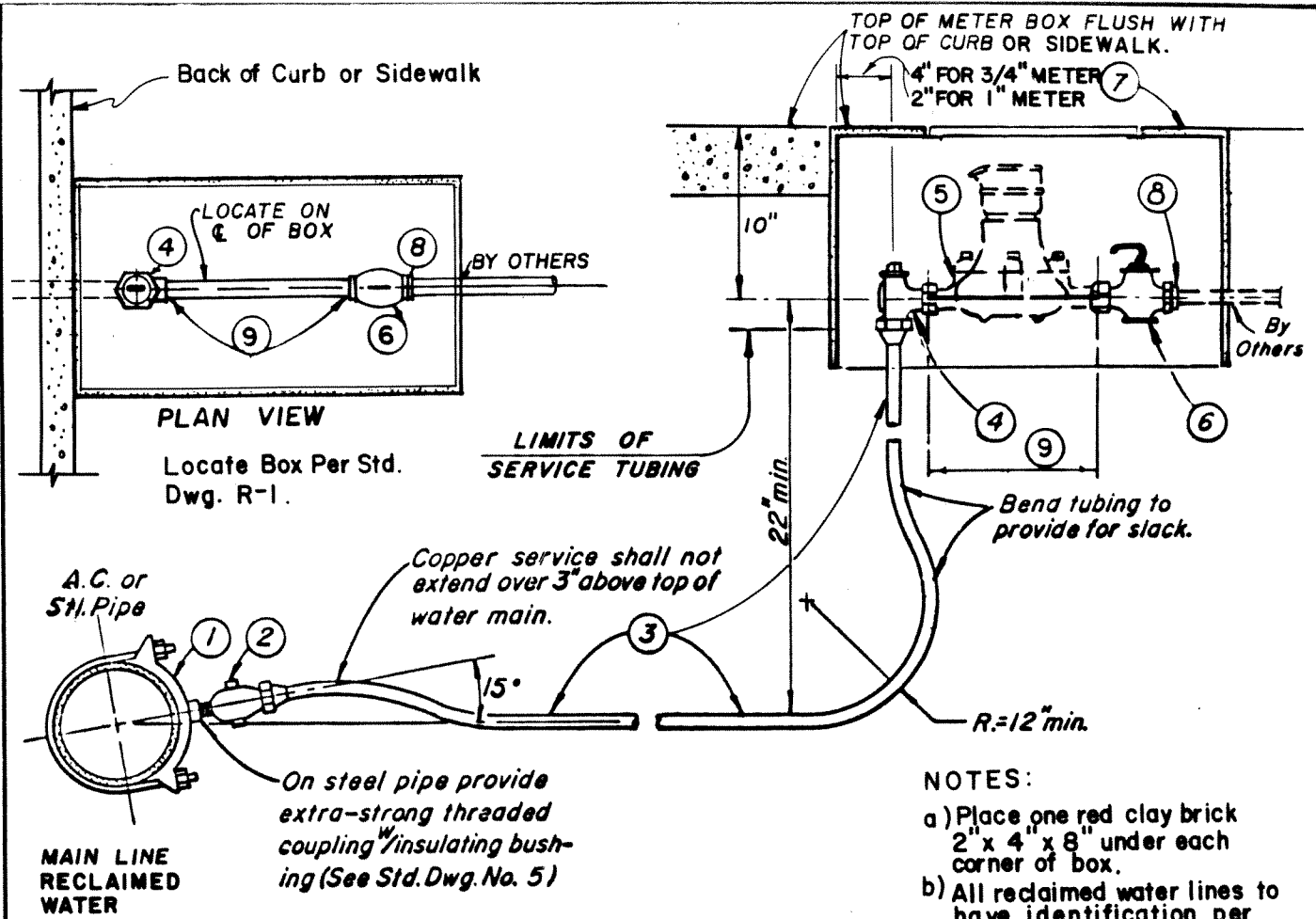


- NOTES**
1. ALL FLANGED CONNECTIONS SHALL BE MADE WITH BRONZE NUTS AND BOLTS.
 2. ITEMS ④ ⑤ ⑧ ⑩ & ⑮ SHALL BE INSTALLED BY LVMWD.
 3. LOCATE ASSEMBLY AS SHOWN ON STANDARD DRAWING NO. R-1.
 4. GREEN PLASTIC METER BOX. COVER IDENTIFICATION PER FIGURE 2 ON STANDARD DRAWING NO. R-2.
 5. ON STEEL MAINS PROVIDE EXTRA STRONG THREADED COUPLING WITH INSULATING BUSHING. SEE STD. DWG. NO. 5.
 6. ALL RECLAIMED WATER LINES SHALL HAVE AFFIXED THERETO AN IDENTIFICATION TAPE AS SPECIFIED IN THE STANDARD SPECIFICATIONS FOR RECLAIMED WATER LINES AND FITTINGS.
 7. PLACE ONE RED CLAY BRICK (2" x 4" x 8") UNDER EACH CORNER OF METER BOXES.

ITEM	QTY.	DESCRIPTION	1-1/2" METER SERVICE	2" METER SERVICE
1	1	Double Strap Bronze Service Clamp with iron pipe threads	Rockwell No.323 or Jones J 979 A.C.P. only	Rockwell No. 323 or Jones J 979 A.C.P. only
2	1	Corporation Stop	Jones J 1929 or Ford FB 700	Jones J 1929 or Ford FB 700
3	1	Copper Service Tubing	1-1/2" Type K (soft)	2" Type K (soft)
4	2	Bronze Meter Flanges	Ford No. 6	Ford No. 7
5	2	Bronze Meter Flanges/Nylon Bushings	Ford No.67F/H/2"x2" I.P.Nip.	Ford No.78F/2"x2 1/2" I.P.Nip.
6	1	Flanged Angle Meter Valve w/Lockwing	Ford No.FV23-666W	Ford No. FV23-777W
7		Box edge to Angle Meter Stop dist.	9"	8"
8	1	Pressure Regulating Valve(Screwed)	Cla Valve No. 90B	Cla Valve No. 90B
9	1	Iron Pipe Jumper with (Item 4) 2 hole flanges	1-1/2"x 47"	2"x 50"
10	1	Meter Flanged	1-1/2" District Meter	2" District Meter
11	1	Bronze Ball Valve	Jones J 1913 or Ford BF 13-676 HB-67 Handle	Jones J 1913 or Ford BF 13-777 HB-67 Handle
12	1	Plastic Nipple (P.V.C.)	1-1/2" x 8"	2" x 8"
13	2	Plastic Meter Box - See Note 4	Carson No.1730-12L	Carson No. 1730-12L
14	1	Top of Box to Center line	15"	15"
15	1	Copper Tube Jumper Type K	1-1/2" x 21-9/16"	2" x 17-7/8"

LAS VIRGENES MUNICIPAL WATER DISTRICT

PREPARED BY BOYLE ENGINEERING Ventura Division	<h1 style="margin: 0;">1 1/2" & 2" WATER SERVICE ASSEMBLIES</h1>	STD. DWG. NO. R-15 DATE: 2-28-83
---	--	--



MAXIMUM WORKING PRESSURE 150 P.S.I.

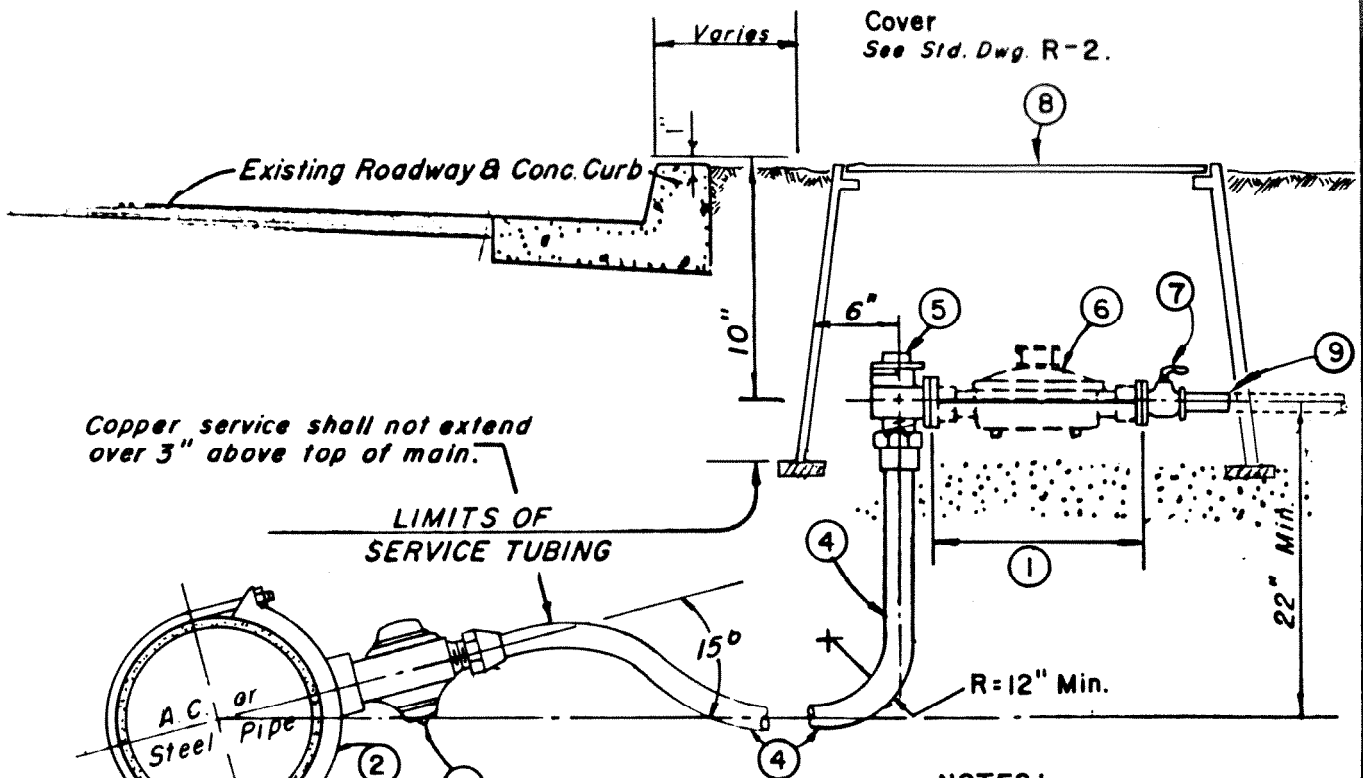
*** A.C. PIPE ONLY**

ITEM	QTY.	DESCRIPTION	3/4" METER SERVICE	1" METER SERVICE
1	1	Bronze Service Clamp, Double * Strap with iron pipe thread	Rockwell No. 323 or Jones J 979 A.C.P. only	Rockwell No. 323 or Jones J 979 A.C.P. only
2	1	Corporation Stop	Jones No. J 1505 or Mueller No. H15025	Jones No. J 1505 or Mueller No. H15025
3	-	Copper Service Tubing	1" Type K (soft)	1" Type K (soft)
4	1	Angle Meter Stop with Lockwing (1-1/4" x 1")	Jones No. J 1525 or Mueller No. H14255	Jones No. J 1525 or Mueller No. H14255
5	1	Meter-INSTALLED BY DISTRICT	3/4" x 1" District Meter	1" District Meter
6	1	1" Ball Valve with Lever Handle, 1-1/4" Swivel Nut and 1-1/4" P.T. Iron Pipe Thread. Tapped End	Jones No. J 1908 Mueller H 14345 Ford B13 454/HH34	Jones No. J 1908 Mueller H 14345 Ford B13 454/HH34
7	1	Plastic Meter Box and Cover (Green) with penta-head bolts.	Carson No. 1419-12B	Carson No. 1419-12B
8	1	Nylon Bushing	1" x 1-1/4"	1" x 1-1/4"
9	1	Iron pipe Spacer	1-1/4" x 9"	1-1/4" x 10"-3/4"

LAS VIRGENES MUNICIPAL WATER DISTRICT

**3/4" & 1" RECLAIMED
WATER SERVICE ASSEMBLY**

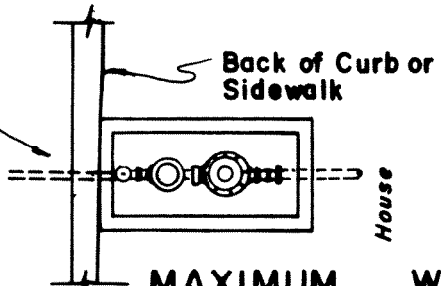
STD. DWG. NO.
R-16
DATE: 9-11-84



Copper service shall not extend over 3" above top of main.

LIMITS OF SERVICE TUBING

Locate Per Std. Dwg. R-1.



On steel main provide extra-strong threaded coupling* insulating bushing (See Std. Dwg. No. 5)

NOTES:

- (a) All flange connections shall be made with bronze nuts and bolts.
- (b) Place one red clay brick 2" x 4" x 8" under each corner of box.
- (c) All reclaimed water lines to have identification per Standard Specs.

* A.C. Pipe only

MAXIMUM WORKING PRESSURE 150 P.S.I.

ITEM	QTY.	DESCRIPTION	1-1/2" METER SERVICE	2" METER SERVICE
1	1	Iron Pipe Spacer	1-1/2" x 13"	2" x 17"
2	1	Double Strap Bronze Service Clamp with I.P. thread *	Jones No. J 979 or Rockwell No. 323	Jones No. J 979 or Rockwell No. 323
3	1	Corporation Stop	Jones No. J 1929 or Ford FB 700	Jones No. J 1929 or Ford FB 700
4	1	Copper Service Tubing	1-1/2" Type K (soft)	2" Type K (soft)
5	1	Angle Meter Stop- Flanged with Lockwing	Ford No. FV23-666W	Ford No. FV23-777W
6	1	Meter-Installed by District	1-1/2" District Meter	2" District Meter
7	1	Bronze Ball Valve	Jones No. J 1913 or Ford BF 1377 & HB 67	Jones No. J 1913 or Ford BF 1377 & HB 67
8	1	Plastic Meter Box (Green)	Carson 1730-12L	Carson 1730-12L
9	1	Plastic Nipple (P.V.C. Schedule 80)	1-1/2" x 8	2" x 8"

LAS VIRGENES MUNICIPAL WATER DISTRICT

1/2" & 2" RECLAIMED WATER SERVICE ASSEMBLY

STD. DWG. NO. R-17
DATE: 9-11-84